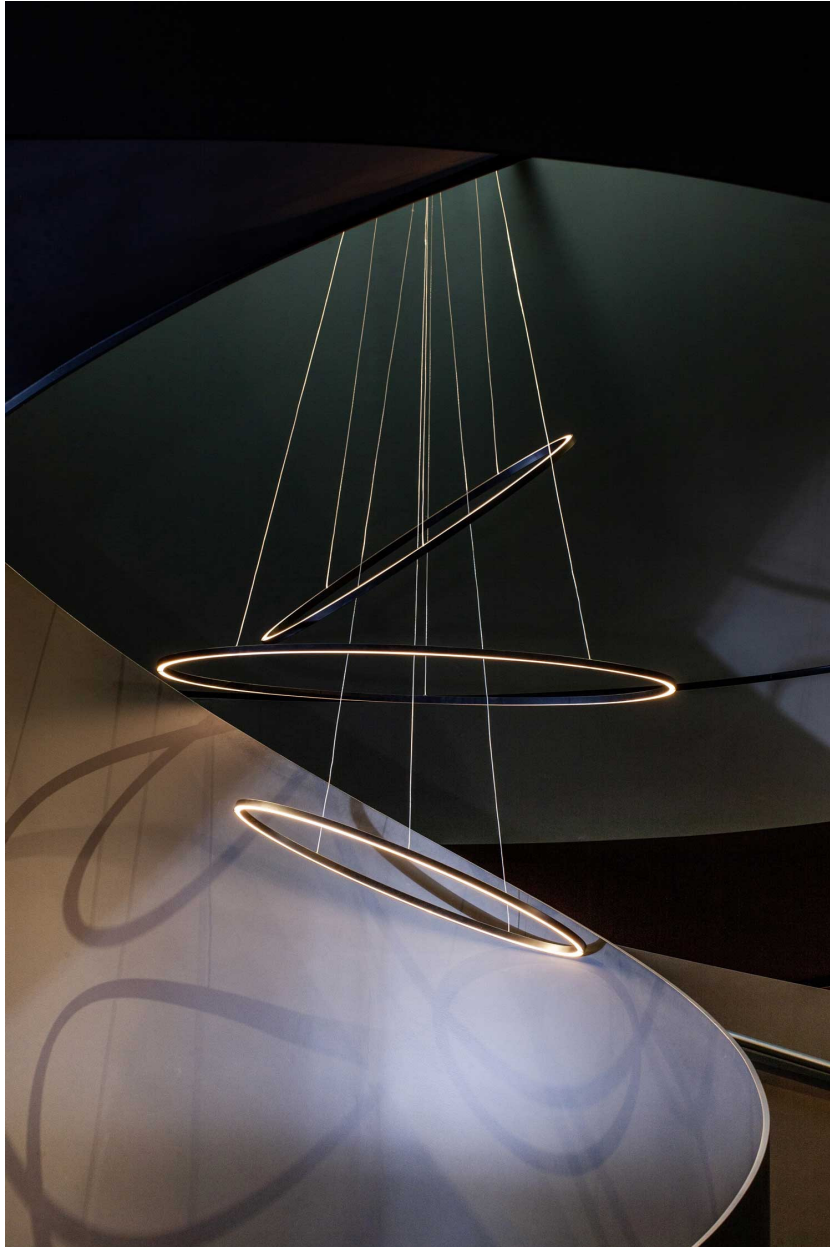


**NEMO**<sup>USA</sup>

# ELLISSE TRIPLE

Federico Palazzari

LED pendant lamp, available in five versions: major, minor, double, triple and mega. Widespread direct or indirect lighting. Extruded aluminum, painted in matt white or black, polished, or glossy gold anodized. Opaline diffuser. Ellisse is manufactured through a proprietary technology to combine the extruded bars (patent pending).



## ELLISSE TRIPLE

Federico Palazzari

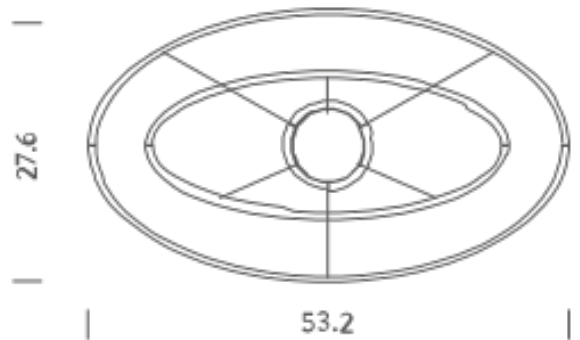
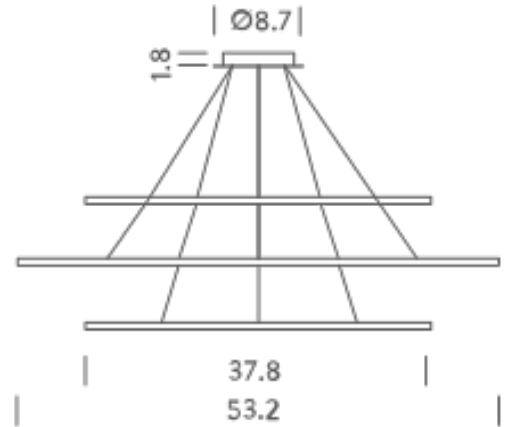
### 2700K

#### Lamping

Source	Linear LED
Total power	90W
Color temperature	2700K
Luminous flux	1325 + 2050 + 1325 (luminous output)
Typ cri	85
Energy class	A+
Ip class	20

#### Codes

	Structure	Diffuser
ELP LW2 57	white/white	
white/white		
ELP LN2 57	black/white	
black/white		
ELP LO2 57	gold painted/white	
gold painted/white		
ELP LL2 57	polished aluminum/white	
polished aluminum/white		



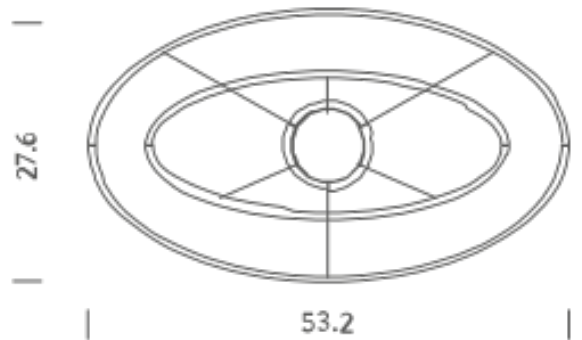
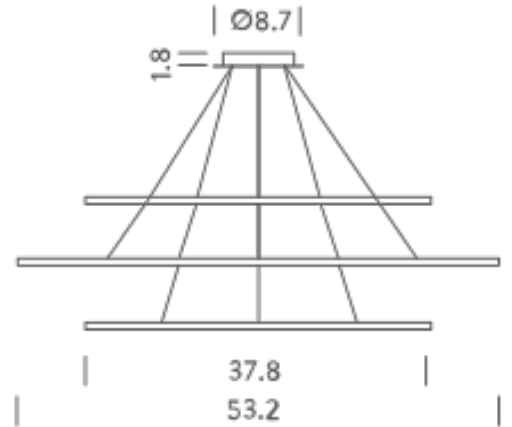
## ELLISSE TRIPLE

Federico Palazzari

### 3000K

#### Lamping

Source	LINEAR LED
Total power	90W
Emission	diffused, orientable
Switching	dimmable 1-10V, mono switch
Tension	120V
Color temperature	3000K
Luminous flux	9300lm
Typ cri	83
Energy class	A+
Ip class	20
Dimensions	53.2
Materials	aluminum + PC
Notes	Minor Uplight, Major/Minor Downlight



#### Codes

Codes	Structure	Diffuser
ELP LLW 57	polished aluminum/white	
polished aluminum/white		
ELP LGW 57	gold polished anodized	
white		
ELP LNW 57	black/white	
black/white		
ELP LWW 57	white/white	
white/white		
ELP LOW 57	gold painted/white	
gold painted/white		