

NUVOLA WALL/CEILING

Mario Bellini

Mario Bellini designed Nuvola in 1974 for 'Pianeta Ufficio'. A metaphysical collection of strong visual impact, made in rotational moulding for a 360° light diffusion.



H7.8"

LAMPING

Source	linear LED
Total power	66W
Emission	diffused
Switching	dimmable 1-10V
Tension	120V
Color temperature	2700K
Luminous flux	4500lm
Typ CRI	85
IP class	20
Dimensions	60.6" x 34.3" x 7.8"
Materials	polyethylene
Notes	3000K, 3500K and 4000K available on request
Net lamp weight	24,3 lbs

Codes

NUV LWW 33

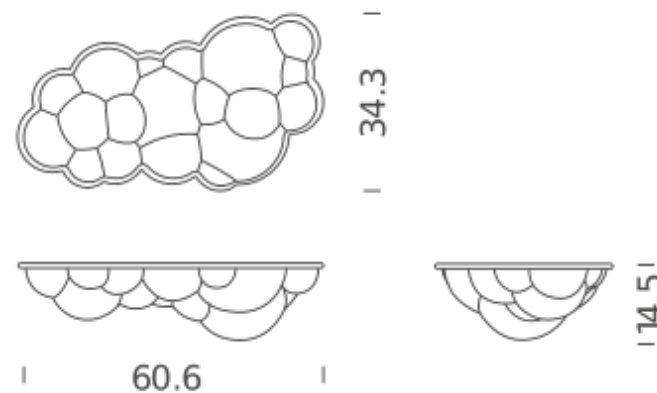
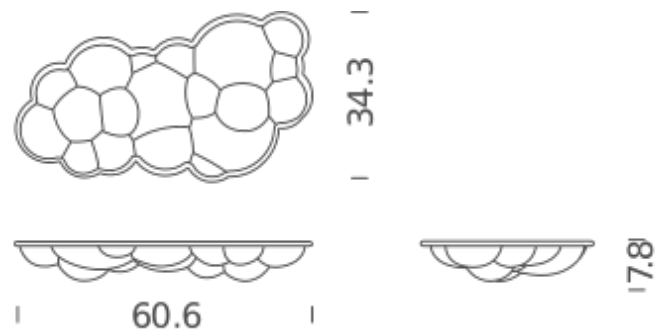
Structure

white

PACKAGE

Package 01

Dimension: 36.6" x 59" x 25.6" inches / Net weight: 41,9 lbs



H14.5"

LAMPING

Source	linear LED
Total power	66W
Emission	diffused
Switching	dimmable 1-10V
Tension	120V
Color temperature	2700K
Luminous flux	4500lm
Typ CRI	85
IP class	20
Dimensions	60.6" x 34.3" x 14.5"
Materials	polyethylene
Notes	3000K, 3500K and 4000K available on request
Net lamp weight	24,3 lbs

Codes

NUV LWW 34

Structure

white

PACKAGE

Package 01

Dimension: 36.6" x 59" x 25.6" inches / Net weight: 41,9 lbs

