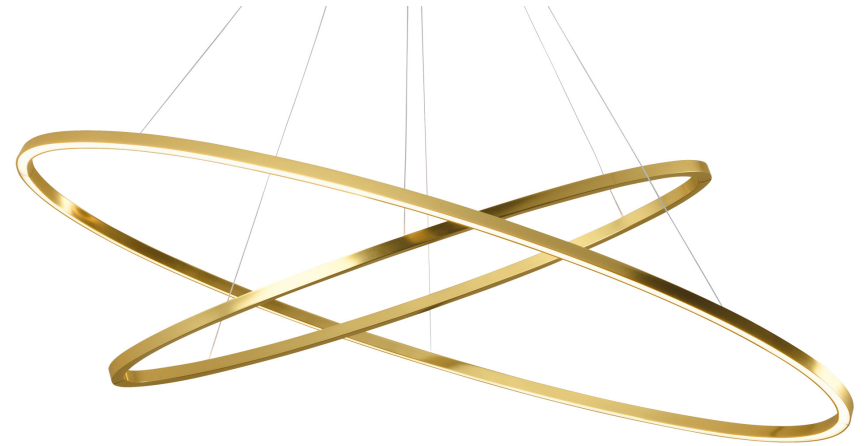


ELLISSE PENDANT DOUBLE

Federico Palazzari

LED pendant provides diffused orientable up and down light. Made from extruded aluminum in different finishes: matt lacquered white, black or gold, or polished in natural or gold. Equipped with an opal diffuser. The lamps are made using a proprietary extrusion coupling technology.



LED 2700K

LAMPING

| | |
|-------------------|---|
| Source | Linear LED |
| Total power | 70W |
| Emission | diffused uplight(minor), diffused downlight (major) |
| Switching | dimnable 1-10V |
| Tension | 120V |
| Color temperature | 2700K |
| Luminous flux | 1980 +1300lm |
| Typ CRI | 85 |
| IP class | 20 |
| Dimensions | 53.1 x 27.6 x .8 |
| Materials | Aluminum + PC |
| Notes | cable length 8.2' max, 3500K and 4000K available on request |
| Net lamp weight | 11 lbs |

Codes

ELP LW2 56
ELP LN2 56
ELP LO2 56
ELP LL2 56
ELP LGW 56

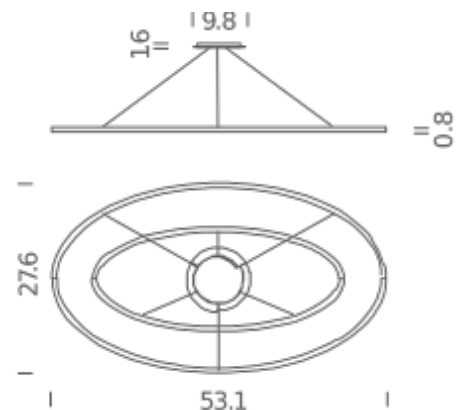
Structure

white
black
gold painted
polished aluminum
gold polished anodized

PACKAGE

Package 01
Dimension: 31.5 x 59.1 x 5.9 inches / Net weight: 12 lbs /
Gross weight: 16.5 lbs

Certificazioni



LED 3000K

LAMPING

| | |
|-------------------|---|
| Source | Linear LED |
| Total power | 70W |
| Emission | diffused uplight(minor), diffused downlight (major) |
| Switching | dimmable 1-10V |
| Tension | 120V |
| Color temperature | 3000K |
| Luminous flux | 1980 +1300lm |
| Typ CRI | 85 |
| IP class | 20 |
| Dimensions | 53.1 x 27.6 x .8 |
| Materials | Aluminum + PC |
| Notes | cable length 8.2' max, 3500K and 4000K available on request |
| Net lamp weight | 11 lbs |

Codes

ELP LWW 56
ELP LNW 56
ELP LOW 56
ELP LLW 56

Structure

white
black
gold painted
polished aluminum

PACKAGE

Package 01
Dimension: 31.5 x 59.1 x 5.9 inches / Net weight: 12 lbs /
Gross weight: 16.5 lbs

Certificazioni

