

SPIGOLO FLOOR

Studiocharlie

Floor lamp based on an extruded and tubular aluminum structure, connected with molded polymer joints, with white or black painted finish. Thanks to the joints, enabling the profiles to house LED sources, one can rotate 360° in order to produce a directional direct or indirect lighting, screened by an opaline diffuser in polycarbonate. Allows the enlightenment of the ambience in a versatile and a comfortable way. LED sources are dimmable.



2700K

LAMPING

Source	3x linear LED
Total power	6+10+33W
Emission	diffused
Switching	mono switch dimmable on cable
Tension	120V
Color temperature	2700K
Luminous flux	335+600+1765lm
Typ CRI	85
IP class	20
Dimensions	25.2" x 17.3" x 70.1"
Materials	aluminum + pc + abs
Notes	cable length 14.7', 360° orientable diffusers, white RAL 9003, black RAL 9005, 3500K and 4000K available on request
Net lamp weight	22 lbs

Codes

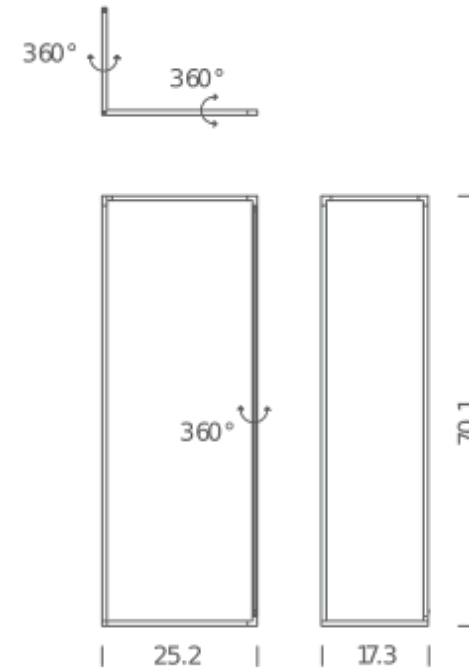
SPI LW2 23
SPI LN2 23

Structure

white
black

PACKAGE

Package 01	Dimension: 22.4" x 30.7" x 6.3" inches / Net weight: 14,3 lbs / Gross weight: 7.1" x 8.7" x 74.8" lbs
Package 02	Gross weight: 15,4 lbs



3000K

LAMPING

Source	3x linear LED
Total power	6+10+33W
Emission	diffused
Switching	mono switch dimmable on cable
Tension	120V
Color temperature	3000K
Luminous flux	335+600+1765lm
Typ CRI	85
IP class	20
Dimensions	25.2" x 17.3" x 70.1"
Materials	aluminum + pc + abs
Notes	cable length 14.7', 360° orientable diffusers, white RAL 9003, black RAL 9005, 3500K and 4000K available on request
Net lamp weight	22 lbs

Codes

SPI LWW 23
SPI LNN 23

Structure

white
black

PACKAGE

Package 01	Dimension: 22.4" x 30.7" x 6.3" inches / Net weight: 14,3 lbs / Gross weight: 7.1" x 8.7" x 74.8" lbs
Package 02	Gross weight: 15,4 lbs

