

# KEPLER

*Arihiro Miyake*

The Kepler collection is made of painted extruded aluminium, whose continuous line is obtained through a three-dimensional manufacturing process developed by Nemo. Designed on the basis of the mathematical principle of the Möbius strip. Diffuser in opaque technopolymer.



# UPLIGHT 3000K

## LAMPING

Source	linear LED
Total power	70W
Emission	diffused
Switching	dimnable
Tension	120V
Color temperature	3000K
Luminous flux	4000lm
Typ CRI	85
IP class	20
Dimensions	Ø 43.3" x 15.7" H
Materials	aluminum + pc
Notes	adjustable cable length 8.2' max, 3500K and 4000K available on request, extra cable on request, integral driver dual capability TRIAC-ELV and 0-10V
Net lamp weight	19,8 lbs

## Codes

KEP LNN 51  
KEPLWW51  
KEP LOW 51

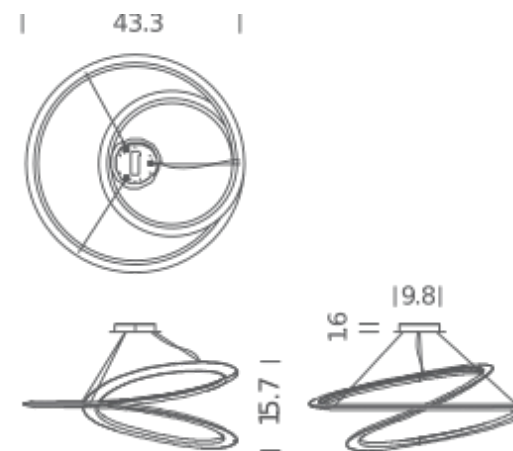
## Structure

black  
white  
gold

## PACKAGE

Package 01  
Dimension: 47.6" x 47.6" x 20.5" inches / Gross weight:  
41,9 lbs

## Certificazioni



# DOWNLIGHT 3000K

## LAMPING

Source	linear LED
Total power	70W
Emission	diffused
Switching	dimnable
Tension	120V
Color temperature	3000K
Luminous flux	4000lm
Typ CRI	85
IP class	20
Dimensions	Ø 43.3" x 15.7" H
Materials	aluminum + pc
Notes	adjustable cable length 8.2' max, 3500K and 4000K available on request, extra cable on request, integral driver dual capability TRIAC-ELV and 0-10V
Net lamp weight	19,8 lbs

## Codes

KEP LNN 52  
KEPLWW52  
KEP LOW 52

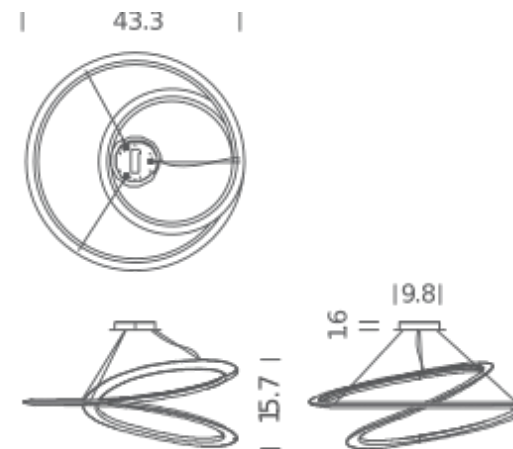
## Structure

black  
white  
gold

## PACKAGE

Package 01  
Dimension: 47.6" x 47.6" x 20.5" inches / Gross weight:  
41,9 lbs

## Certificazioni



# UPLIGHT 2700K

## LAMPING

Source	linearLED
Total power	70W
Emission	diffused
Switching	dimnable
Tension	120V
Color temperature	2700K
Luminous flux	4000lm
Typ CRI	85
IP class	20
Dimensions	Ø 43.3" x 15.7" H
Materials	aluminum + pc
Notes	adjustable cable length 8.2' max, 3500K and 4000K available on request, extra cable on request, integral driver dual capability TRIAC-ELV and 0-10V
Net lamp weight	19,8 lbs

## Codes

KEP LNN 53  
KEP LWW 53  
KEP LOW 53

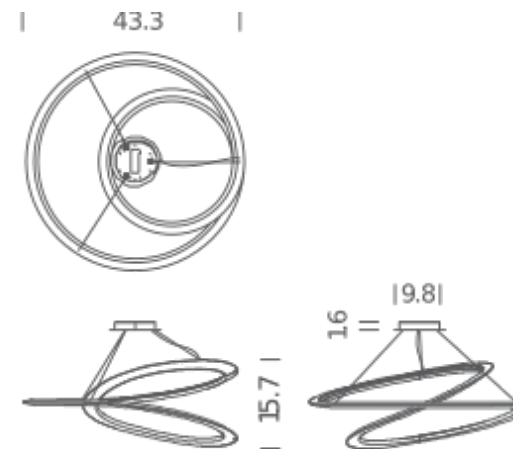
## Structure

black  
white  
gold

## PACKAGE

Package 01  
Dimension: 47.6" x 47.6" x 20.5" inches / Gross weight:  
41,9 lbs

## Certificazioni



# DOWNLIGHT 2700K

## LAMPING

Source	Linear LED
Total power	70W
Emission	diffused
Switching	dimnable
Tension	120V
Color temperature	2700K
Luminous flux	4000lm
Typ CRI	85
IP class	20
Dimensions	Ø 43.3" x 15.7" H
Materials	aluminum + pc
Notes	adjustable cable length 8.2' max, 3500K and 4000K available on request, extra cable on request, integral driver dual capability TRIAC-ELV and 0-10V
Net lamp weight	19,8 lbs

## Codes

KEP LNN 54  
KEPLWW54  
KEP LOW 54

## Structure

black  
white  
gold

## PACKAGE

Package 01  
Dimension: 47.6" x 47.6" x 20.5" inches / Gross weight:  
41,9 lbs

## Certificazioni

