

# KEPLER PETITE

*Arihiro Miyake*

Small version of the Kepler lamp only with down light. Suspension lamp in extruded aluminum powder coated. Available versions in white, black and the new gold finish. The continuous line is made through a three-dimensional process of extruded aluminum, designed based on the geometric principle of the Moebius strip. Engineered by Nemo.



# DOWNLIGHT 2700K

## LAMPING

Source	Linear LED
Total power	50W
Emission	direct
Switching	dimmable 1-10V
Tension	120V
Color temperature	2700K
Luminous flux	2500lm
Typ CRI	85
IP class	20
Dimensions	Ø19.7 x 8.7" H
Materials	aluminium + PC
Notes	Adjustable cable length 8.2' max, 3500K and 4000K available on request, extra cable on request
Net lamp weight	2,9 lbs

## Codes

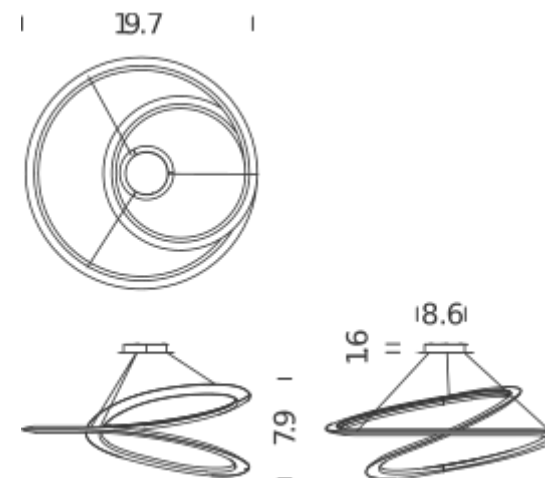
KES LWW 54  
KES LNN 54  
KES LOW 54

## Structure

white  
black  
gold painted

## PACKAGE

Package 01  
Dimension: 22.8" x 22.8" x 9.5" inches / Gross weight: 6.8 lbs



# DOWNLIGHT 3000K

## LAMPING

Source	Linear LED
Total power	50W
Emission	direct
Switching	dimmable 1-10V
Tension	120V
Color temperature	3000K
Luminous flux	2500lm
Typ CRI	85
IP class	20
Materials	aluminium + PC
Notes	Adjustable cable length 8.2' max, 3500K and 4000K available on request, extra cable on request
Net lamp weight	2.9 lbs

## Codes

KES LWW 52  
KES LNN 52  
KES LOW 52

## Structure

white  
black  
gold painted

## PACKAGE

Package 01  
Dimension: 22.8 x 22.8' x 9.5" inches / Gross weight: 6.8 lbs

