

PLINT

Massimo Colagrande

PLINT is a LED spot that bursts into the world of accent lighting, challenging the notions of conventional spotlights with its flexibility of installation and excellent light quality. The integrated design of the high-performing spot with variable optics in a solid metal structure allow PLINT to be freely positioned for optimal and precise, yet discreet accent lighting. On-board dimming and the vast adjustability possibilities of PLINT's light emission make it a versatile and innovative tool for any project. Available in matte black finish and in two different color temperatures.



2700K

LAMPING

Source	LED
Total power	13W
Emission	direct adjustable
Switching	dim on board
Tension	120V
Color temperature	2700K
Luminous flux	900lm
Typ CRI	90
IP class	20
Notes	driver integrated, adjustable beam 15°-55°, orientable spot 90°, cable length 3m, 3500K available on request
Net lamp weight	2,86 lbs

Codes

PLT LN2 11 US

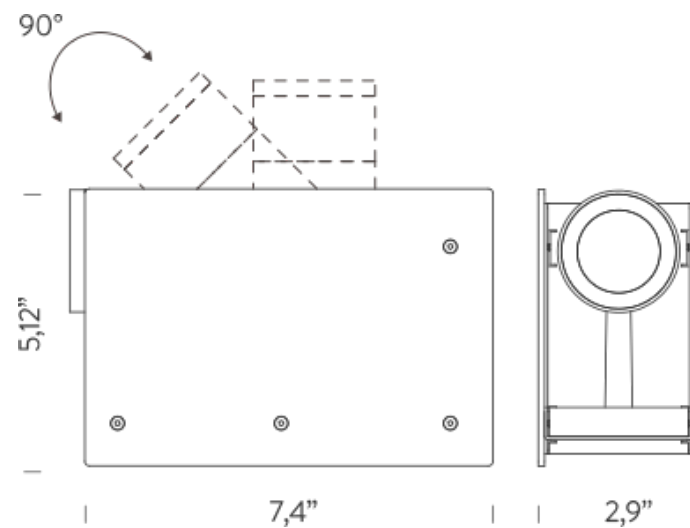
Structure

black

PACKAGE

Package 01

Gross weight: 3,97 lbs



3000K

LAMPING

Source	LED
Total power	13W
Emission	direct adjustable
Switching	dim on board
Tension	120V
Color temperature	3000K
Luminous flux	900lm
Typ CRI	90
IP class	20
Notes	driver integrated, adjustable beam 15°-55°, orientable spot 90°, cable length 3m, 3500K available on request
Net lamp weight	2,86 lbs

Codes

PLT LN3 11 US

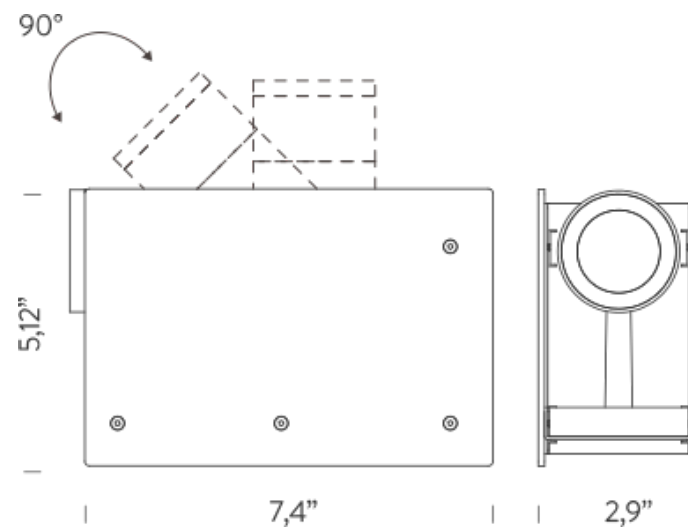
Structure

black

PACKAGE

Package 01

Gross weight: 3,97 lbs



4000K

LAMPING

Source	LED
Total power	13W
Emission	direct adjustable
Switching	dim on board
Tension	120V
Color temperature	4000K
Luminous flux	900lm
Typ CRI	90
IP class	20
Dimensions	7,4x2,9x5,12
Notes	driver integrated, adjustable beam 15°-55°, orientable spot 90°, cable length 3m, 3500K available on request
Net lamp weight	2,86 lbs

Codes

PLT LN4 11 US

Structure

black

PACKAGE

Package 01

Dimension: 9x12x5 inches / Gross weight: 3,97 lbs

