

CROWN APPLIQUE

Jehs + Laub

A contemporary design icon reminiscent of ancient chandeliers: Crown, inspired by the shape of snowflakes, is characterised by a versatile design with a strong visual appeal, enhanced by a modular structure that allows countless possible combinations of colours and sizes.



G9 LED

LAMPING

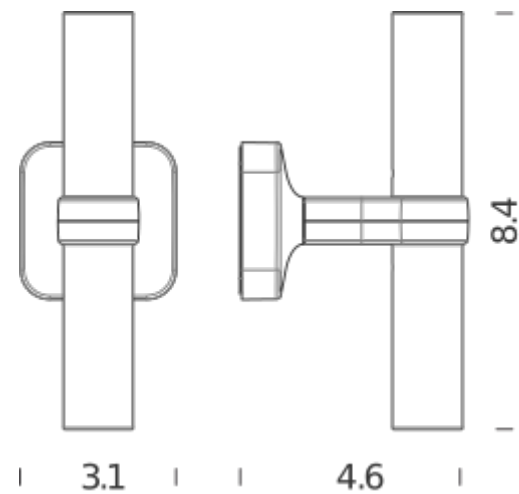
Source	G9 LED
Total power	2x4W
Emission	diffused
Switching	dimmable according to bulb
Tension	120V
IP class	20
Dimensions	3.1'x 4.6'x 8.4'
Notes	satin glass diffuser included, kit G9 LED NEMO available in the accessory section, bulb H max: 2.4', white RAL 9003, black RAL 9005, square cover plate included

Codes

CRO HWW 33
CRO HPW 33
CRO HOW 33
CRO HLW 33
CRO HNW 33
CRO HGW 33

Structure

white
black plated
gold plated
polished aluminium
black
gold painted



G9 4W LED

LAMPING

Source	G9 LED bulb x 2 pieces
Total power	2x4W
Tension	120V
Luminous flux	400lm
Notes	Ø0.7x2.4, dimmable according to dimmer specification

Codes

LED D62 75
LED D63 05

Structure

2700K
3000K

