

UNTITLED MINI LINEAR

Bernhard Osann

Family of table, floor and wall LED lamps in extruded matt black painted aluminum with joints for flexible and dynamic positioning of the light.

Available in the version with the linear lighting unit in polymer filled with glass fibers that rotates on itself and in the version with cylindrical spot light in aluminum. Dimmer on board located on the lamp stem.



LED 2700K

LAMPING

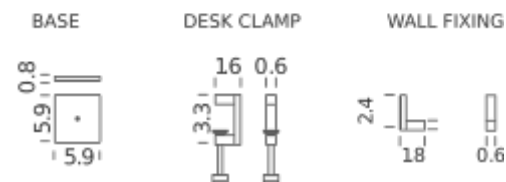
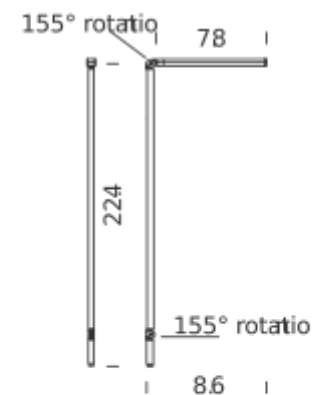
Source	LED board
Total power	7W
Emission	orientable
Switching	dimnable, on board
Tension	110/240V
Color temperature	2700K
Luminous flux	485lm
Typ CRI	90
Materials	aluminum, technopolymer
Notes	cable length 2m, accessories (base, desk clamp, wall fixing) sold separately
Accessories	Desk clamp, Table base, Wall fixing,

Codes

UNT LN2 15

Structure

black



Certificazioni



LED 3000K

LAMPING

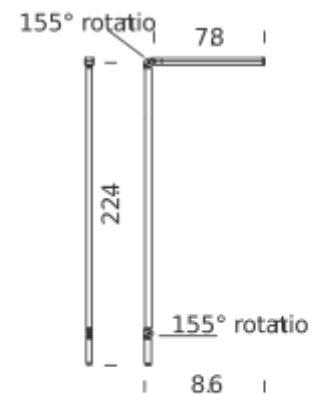
Source	LED board
Total power	7W
Emission	orientable
Switching	dimnable, on board
Tension	110/240V
Color temperature	3000K
Luminous flux	485lm
Typ CRI	90
Materials	aluminum, technopolymer
Notes	cabl length 2m, accessories (base, desk clamp, wall fixing) sold separately
Accessories	Desk clamp, Table base, Wall fixing,

Codes

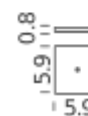
UNT LNN 15

Structure

black



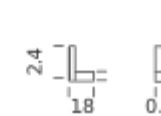
BASE



DESK CLAMP



WALL FIXING



Certificazioni

