

CANNA NUDA WALL/CEILING

Piero Castiglioni & Roberto Menghi

Canna Nuda is a project that explores the diffusion of light through the use of cylinders in the sandblasted glass version, the spot lighting in the metal one, and the orientation in the ceiling variant. A collection that represents a synthesis between harmonious forms and versatile use.



LED/HALO L19.7"

LAMPING

Source	G9
Total power	75W
Emission	diffused
Switching	dimnable, according to bulb
Tension	120V
IP class	20
Dimensions	1.2" x 1.2" x 19.7"/29.5"
Materials	metal - glass
Notes	kit G9 LED NEMO available, round cover plate included
Net lamp weight	2,2 lbs

Codes

CAN HSW 41

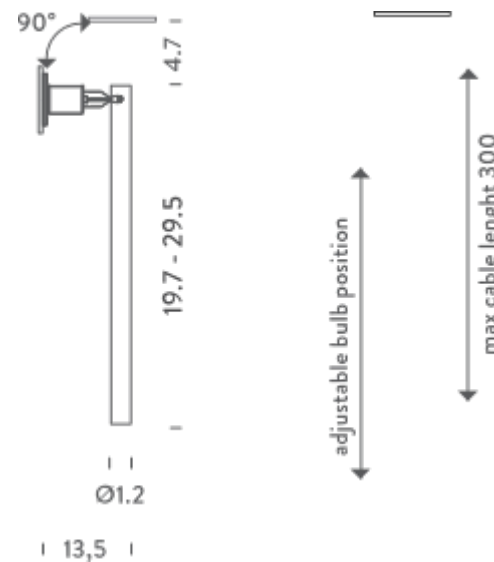
Structure

satin nickel

PACKAGE

Package 01

Dimension: 8.7" x 8.7" x 31.5" inches / Gross weight: 3,3 lbs



LED/HALO L29.5"

LAMPING

Source	G9
Total power	75W
Emission	diffused
Switching	dimnable, according to bulb
Tension	120V
IP class	20
Dimensions	1.2" x 1.2" x 19.7"/29.5"
Materials	metal - glass
Notes	kit G9 LED NEMO available, round cover plate included

Codes

CAN HSW 42

Structure

satin nickel

