

# LA ROCHE

*Le Corbusier*

The first wall lamp designed by Le Corbusier, originally thought to enlighten the large windows of Villa La Roche, a manifesto of purist architecture. Nemo proposes La Roche enhancing its lightness and functionality: a matte metal frame and an opal glass diffuser for soft lighting. Now available in two finishes: matte grey and the new matte black.



## INDOOR IP20

---

### LAMPING

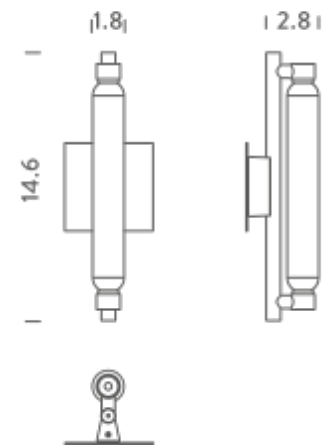
Source	LED board
Total power	12,5W
Emission	DIFFUSED
Switching	dimnable Triac
Tension	120V
Color temperature	2700K
Luminous flux	925lm
Typ CRI	85
IP class	20
Notes	matte grey RAL 7046, matte black RAL 7021, square cover plate included

### Codes

ROC LDW 31  
ROC LNW 31

### Structure

matte grey  
matte black



## OUTDOOR IP45

---

### LAMPING

Source	LED board
Total power	12.5W
Emission	diffused
Switching	dimnable TRIAC
Tension	120V
Color temperature	2700K
Luminous flux	925lm
Typ CRI	85
IP class	45
Notes	matte grey RAL 7046, matte black RAL 7021, square cover plate included

### Codes

ROC LDW 33  
ROC LNW 33

### Structure

matte grey  
matte black

### Certificazioni

