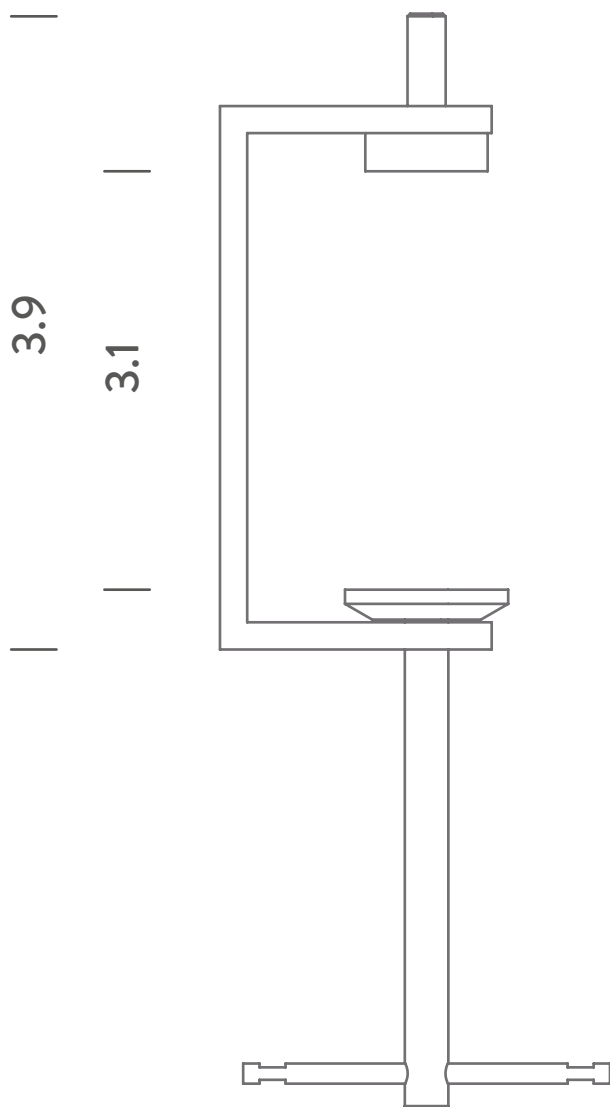


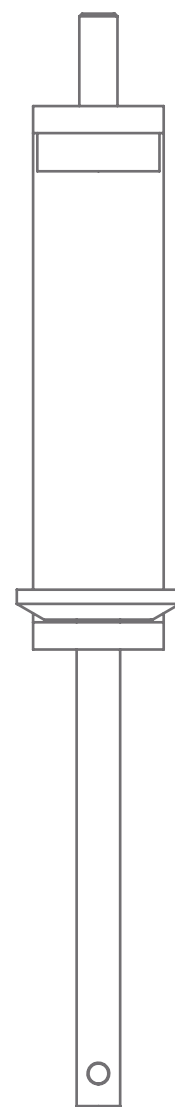
# *Desk clamp*

cod. UNT ATN 11

black



| 2 |



| 9.8 |