

KEPLER MINOR

Arihiro Miyake

Die Kepler-Kollektion besteht aus lackiertem, extrudiertem Aluminium, dessen durchgehende Linie durch ein von Nemo entwickeltes dreidimensionales Herstellungsverfahren erzielt wird.

Entworfen auf der Grundlage des mathematischen Prinzips des Möbiusbandes. Diffusor aus undurchsichtigem technopolymer.



DOWNLIGHT 2700K

LAMPING

Source	Linear LED
Total power	69W
Emission	diffused
Switching	dimmable 1-10V
Tension	110-240V
Color temperature	2700K
Luminous flux	4000lm
Typ CRI	85
IP class	20
Materials	aluminium + PC
Notes	adjustable cable length from 2,5m to 0,4m, DALI version on request, TRIAC VERSION on request
Net lamp weight	6 kg

Codes

KEM LWW 54
KEM LNN 54
KEM LOW 54

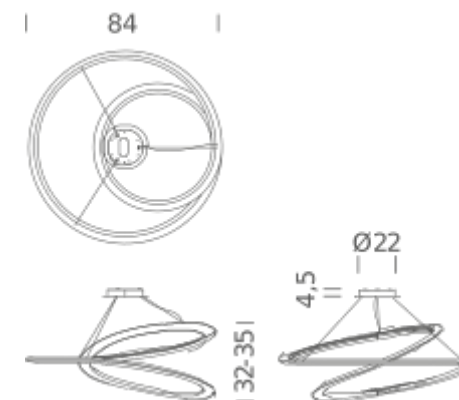
Structure

white
black
gold

PACKAGE

Package 01 Dimension: 90x90x45 cm / Gross weight: 11 kg

Certificazioni



DOWNLIGHT 3000K

LAMPING

Source	Linear LED
Total power	69W
Emission	diffused
Switching	dimmable 1-10V
Tension	110-240V
Color temperature	3000K
Luminous flux	4000lm
Typ CRI	85
IP class	20
Materials	aluminium + PC
Notes	adjustable cable length from 2,5m to 0,4m, DALI version on request
Net lamp weight	6 kg

Codes

KEM LWW 52
KEM LNN 52
KEM LOW 52

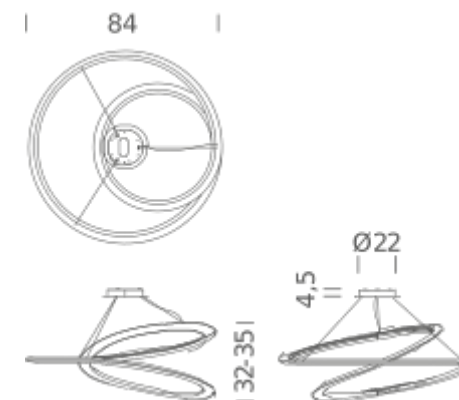
Structure

white
black
gold

PACKAGE

Package 01 Dimension: 90x90x45 cm / Gross weight: 11 kg

Certificazioni



UPLIGHT 2700K

LAMPING

Source	Linear LED
Total power	69W
Emission	diffused indirect
Switching	dimmable 1-10V
Tension	110-240V
Color temperature	2700K
Luminous flux	4000lm
Typ CRI	85
IP class	20
Materials	aluminium + PC
Notes	adjustable cable length from 2,5m to 0,4m, DALI version on request
Net lamp weight	6 kg

Codes

KEM LWW 53
KEM LNN 53
KEM LOW 53

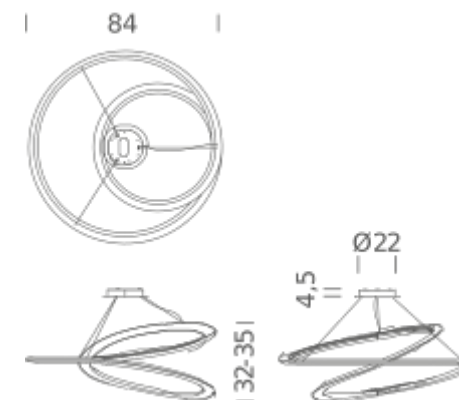
Structure

white
black
gold painted

PACKAGE

Package 01 Dimension: 90x90x45 cm / Gross weight: 11 kg

Certificazioni



UPLIGHT 3000K

LAMPING

Source	Linear LED
Total power	69W
Emission	diffused indirect
Switching	dimmable 1-10V
Tension	110-240V
Color temperature	3000K
Luminous flux	4000lm
Typ CRI	85
IP class	20
Materials	aluminium + PC
Notes	adjustable cable length from 2,5m to 0,4m, DALI version on request
Net lamp weight	6 kg

Codes

KEM LWW 51
KEM LNN 51
KEM LOW 51

Structure

white
black
gold

PACKAGE

Package 01 Dimension: 90x90x45 cm / Gross weight: 11 kg

Certificazioni

