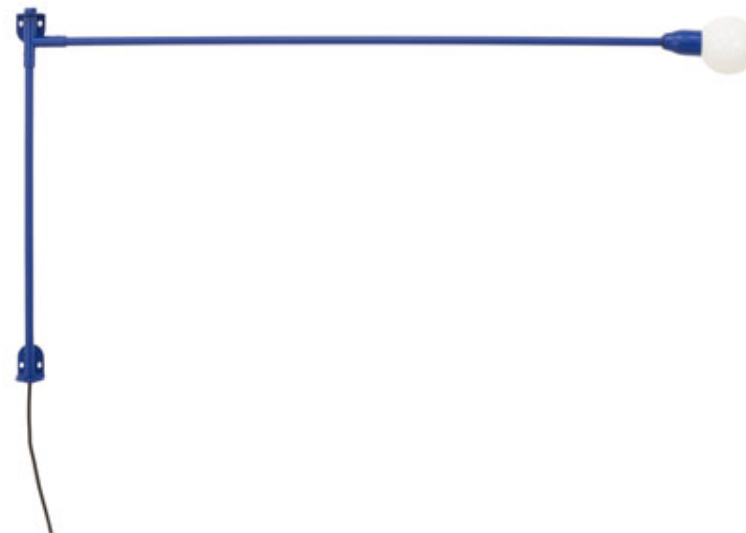


LE GRAND BLEU

Charlotte Perriand

The vibration of **Le grand bleu**, special version of the Potence Pivotante Mini by **Charlotte Perriand**. An iconic colour for this numbered edition of a timeless paradigm of the lighting design world.

In her autobiography, Charlotte Perriand describes how the Potence Pivotante was conceived “In 1940 I designed a revolving and spartan lamp, manufactured with long, black tubes assembled in a shape of an inverted L, to bring electrical cable from the switch to the bulb”.



LED/HALO

LAMPING

Source	halopin G9 QT-14
Total power	4W
Emission	diffused
Switching	dimnable
Tension	230V
Color temperature	2700K
Luminous flux	400lm (source luminous flux)
Materials	steel + aluminium
Notes	orientable, switch on cable, LED dimmable bulb included, max power allowed 25W HALO bulb, cover for direct wall electrical installation (no plug) included, dimmable (only with direct wall electrical installation), cable length 2,5m. RAL 5002

Net lamp weight 1 kg

Codes

POM HBW 31

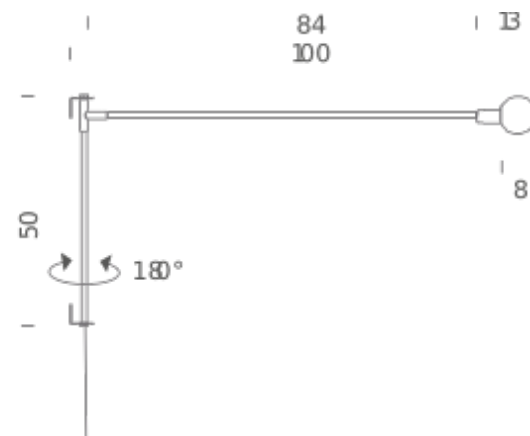
Structure

matte blue

PACKAGE

Package 01 Dimension: 101x20x12 cm / Gross weight: 2 kg

Certificazioni



wall electrical
installation
cover

