

# ZIRKOL CIRCLE WALL

Geeignet für indirekte und dekorative Beleuchtung. Zirkol Wall ist das neue Stück der Kollektion, mit runder Form und Wandbefestigung. Erhältlich mit schwarzer Oberfläche und drei verschiedene LED-Farbtemperaturen: 2700K, 3000K oder 4000K. Die Länge der mitgelieferten Stangen ermöglicht die Schaffung verschiedener Kompositionen mit mehreren Lampen für individuelle Umgebungsbeleuchtung.



Ø 1M | 2700K

## LAMPING

Source	linear LED
Total power	45W
Emission	indirect diffused
Switching	DALI 1-100%
Tension	220/240V
Color temperature	2700K
Luminous flux	2616lm
Typ CRI	90
Energy class	E
IP class	20
Dimensions	ø100x5cm
Materials	aluminium
Notes	remote driver   RAL 9005black   shipped assembled. 1 x driver WALIM60W24VIN   1 x dimmer interface WDIMDALIHP   3 x tige 5 cm   3 x tige 16 cm
Net lamp weight	4 kg

## Codes

BZRC4210G15DNE

## Structure

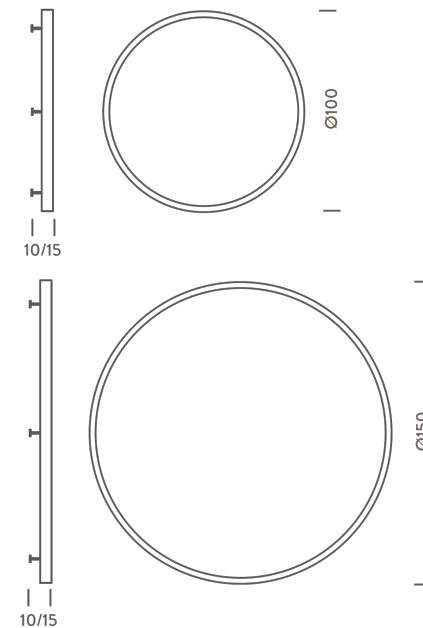
black

## PACKAGE

Package 01

Dimension: 110x110x15 cm / Gross weight: 6,5 kg

## Certificazioni



Ø 1M | 3000K

## LAMPING

Source	linear LED
Total power	45W
Emission	indirect diffused
Switching	DALI 1-100%
Tension	220/240V
Color temperature	3000K
Luminous flux	2769lm
Typ CRI	90
Energy class	E
IP class	20
Dimensions	ø100x5cm
Materials	aluminium
Notes	remote driver   RAL 9005black   shipped assembled. 1 x driver WALIM60W24VIN   1 x dimmer interface WDIMDALIHP   3 x tige 5 cm   3 x tige 16 cm
Net lamp weight	4 kg

## Codes

BZRC4210G15WNE

## Structure

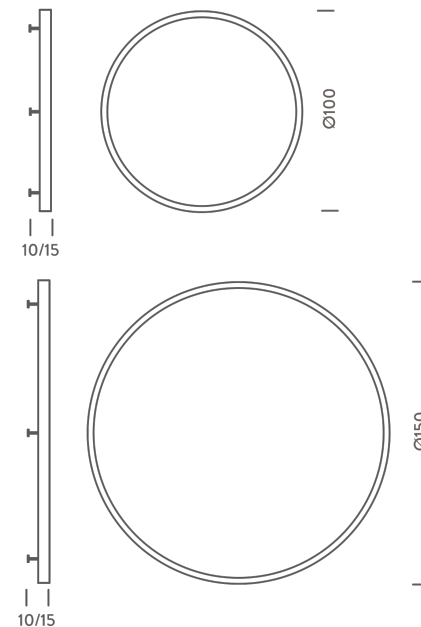
black

## PACKAGE

Package 01

Dimension: 110x110x15 cm / Gross weight: 6,5 kg

## Certificazioni



Ø 1M | 4000K

## LAMPING

Source	linear LED
Total power	45W
Emission	indirect diffused
Switching	DALI 1-100%
Tension	220/240V
Color temperature	4000K
Luminous flux	3077lm
Typ CRI	90
Energy class	D
IP class	20
Dimensions	ø100x5cm
Materials	aluminum
Notes	remote driver   RAL 9005black   shipped assembled. 1 x driver WALIM60W24VIN   1 x dimmer interface WDIMDALIHP   3 x tige 5 cm   3 x tige 16 cm
Net lamp weight	4 kg

## Codes

BZRC4210G15NNE

## Structure

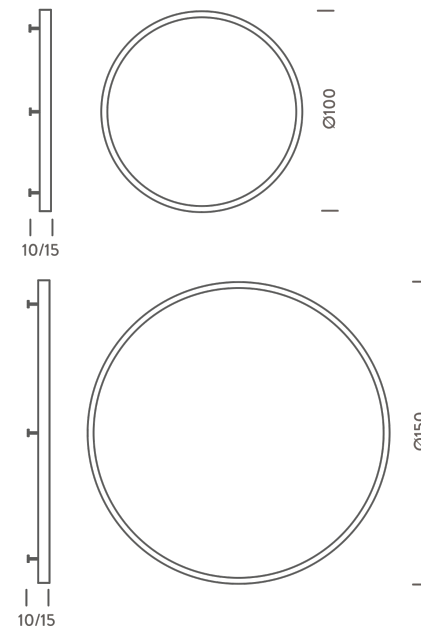
black

## PACKAGE

Package 01

Dimension: 110x110x15 cm / Gross weight: 6,5 kg

## Certificazioni



Ø 1,5M | 2700K

## LAMPING

Source	linear LED
Total power	68W
Emission	indirect diffused
Switching	DALI 1-100%
Tension	220/240V
Color temperature	2700K
Luminous flux	3923lm
Typ CRI	90
Energy class	E
IP class	20
Dimensions	ø150x5cm
Materials	aluminum
Notes	remote driver   RAL 9005 black   shipped assembled. 1 x driver WALIM150W24VIN   1 x dimmer interface WDIMDALIHP   3 x tige 5 cm   3 x tige 16 cm
Net lamp weight	4 kg

## Codes

BZRC4215G15DNE

## Structure

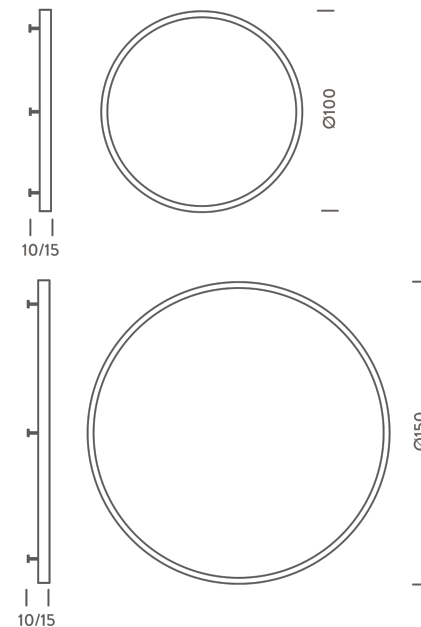
black

## PACKAGE

Package 01

Dimension: 160x160x15 cm / Gross weight: 6,5 kg

## Certificazioni



Ø 1,5M | 3000K

## LAMPING

Source	linear LED
Total power	68W
Emission	indirect diffused
Switching	DALI 1-100%
Tension	220/240V
Color temperature	3000K
Luminous flux	4154lm
Typ CRI	90
Energy class	E
IP class	20
Dimensions	ø150x5cm
Materials	aluminum
Notes	remote driver   RAL 9005 black   shipped assembled. 1 x driver WALIM150W24VIN   1 x dimmer interface WDIMDALIHP   3 x tige 5 cm   3 x tige 16 cm
Net lamp weight	4 kg

## Codes

BZRC4215G15WNE

## Structure

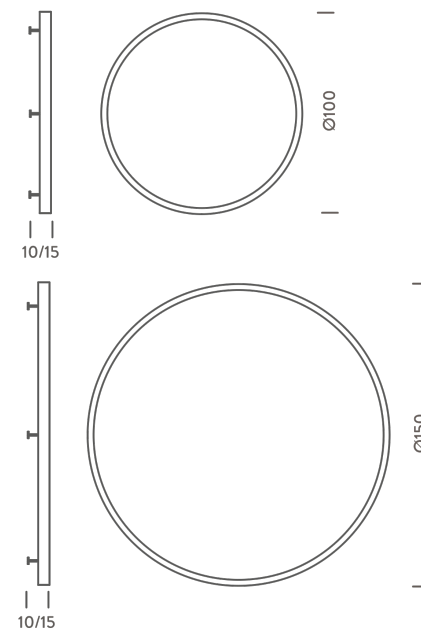
black

## PACKAGE

Package 01

Dimension: 160x160x15 cm / Gross weight: 6,5 kg

## Certificazioni



Ø 1,5M | 4000K

## LAMPING

Source	linear LED
Total power	68W
Emission	indirect diffused
Switching	DALI 1-100%
Tension	220/240V
Color temperature	4000K
Luminous flux	4616lm
Typ CRI	90
Energy class	D
IP class	20
Dimensions	ø150x5cm
Materials	aluminum
Notes	remote driver   RAL 9005 black   shipped assembled. 1 x driver WALIM150W24VIN   1 x dimmer interface WDIMDALIHP   3 x tige 5 cm   3 x tige 16 cm
Net lamp weight	4 kg

## Codes

BZRC4215G15NNE

## Structure

black

## PACKAGE

Package 01

Dimension: 160x160x15 cm / Gross weight: 6,5 kg

## Certificazioni

UK  
CA

