

ALYA

Gabriele Rosa

Light pendant LED lamp with diffused lighting, with 70% uplight and 30% downlight output. Arms in extruded aluminum, central structure in die-casted aluminum. Diffuser in opaline methacrylate. Available in matt white or black finish. Dimmable also with remote control.



REMOTE CONTROL LED

LAMPING

| | |
|-------------------|-------------------------------|
| Source | linear LED |
| Total power | 37,5W |
| Emission | uplight, diffused |
| Switching | dimnable, 1-10V, remote |
| Tension | 110/240V |
| Color temperature | 3000K |
| Luminous flux | 2130lm (source luminous flux) |
| Typ CRI | 83 |
| Energy class | A+ |
| Dimensions | 40x100x100 |
| Materials | aluminium + PC |
| Notes | cable length max 2,5m |
| Net lamp weight | 3 kg |

Codes

ALY LWW 52
ALY LNN 52

PACKAGE

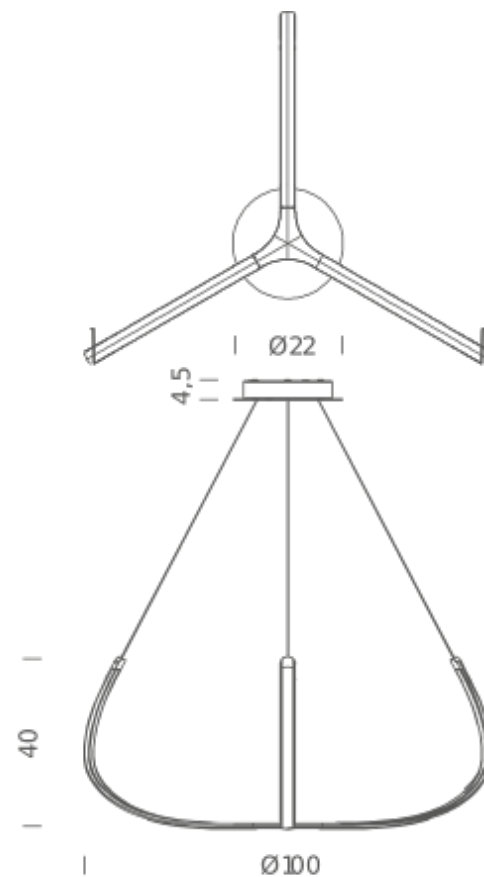
Package 01

Structure

white
black

Dimension: 16x64x47 cm / Gross weight: 4,5 kg

Certificazioni



DALI PUSH 220V

LAMPING

| | |
|-------------------|-------------------------------|
| Source | linear LED |
| Total power | 37,5W |
| Emission | uplight, diffused |
| Switching | dimnable, DALI push |
| Tension | 230V |
| Color temperature | 3000K |
| Luminous flux | 2130lm (source luminous flux) |
| Typ CRI | 85 |
| Energy class | A+ |
| Materials | aluminium + PC |
| Notes | cable length max 2,5m |

Codes

ALY LWW 53

ALY LNN 53

Certificazioni



Structure

white

black

