

CANNA NUDA WALL-CEILING

Piero Castiglioni & Roberto Menghi

Canna Nuda is a project that explores the diffusion of light through the use of cylinders in the sandblasted glass version, the spot lighting in the metal one, and the orientation in the ceiling variant. A collection that represents a synthesis between harmonious forms and versatile use.



L50 LED/HALO

LAMPING

Source	G9
Total power	75W
Emission	diffused
Switching	dimnable according to bulb
Tension	110-240V
IP class	20
Dimensions	Ø3x50cm
Materials	Metal - Glass
Notes	LED version with kit G9 LED NEMO
Net lamp weight	1 kg

Codes

CAN HSW 41

Structure/Diffuser

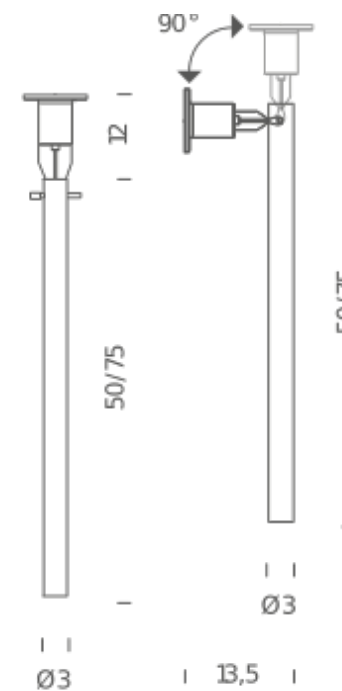
satin nikel/sanded glass

PACKAGE

Package 01

Dimension: 22x22x80 cm / Gross weight: 1,5 kg

Certificazioni



L75 LED/HALO

LAMPING

Source	G9
Total power	75W
Emission	diffused
Switching	dimnable according to bulb
Tension	110-240V
IP class	20
Dimensions	Ø3x75cm
Materials	Metal - Glass
Notes	LED version with kit G9 LED NEMO
Net lamp weight	1 kg

Codes

CAN HSW 42

Structure/Diffuser

satin nikel/sanded glass

PACKAGE

Package 01

Dimension: 22x22x80 cm / Gross weight: 1,5 kg

Certificazioni

