

# ELLISSE PENDANT DOUBLE

*Federico Palazzari*

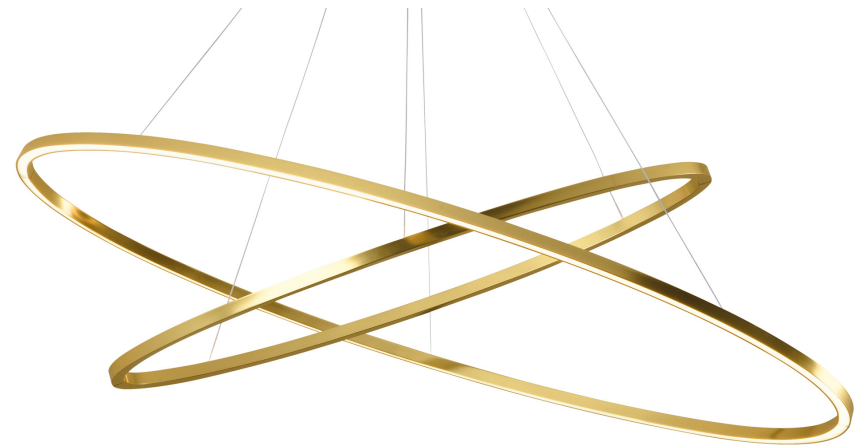
Collection of LED pendants, floor/wall lamps available in different versions: major, minor, double, triple and mega provides a direct or indirect diffused light.

In extruded aluminum in different versions: matt lacquered in the finishes, white, black and gold, natural polished and gold polished anodized.

Equipped with an opal diffuser.

The lamps are made using a proprietary extrusion coupling technology.

Ellisse Major is also available as floor or wall versions and is provided with a black marble base or a wall hook accessory.



# LED 2700K

## LAMPING

Source	linear LED
Total power	85W
Emission	diffused orientable uplight(minor), diffused orientable downlight (major)
Switching	dimnable 1-10V
Tension	110/240V
Color temperature	2700K
Luminous flux	2825+1850lm
Typ CRI	85
Materials	Aluminium
Notes	adjustable cable length from 2,5m to 0,4m, DALI version on request, TRIAC VERSION on request

## Codes

ELP LW2 56  
ELP LN2 56  
ELP LO2 56  
ELP LL2 56  
ELP LGW 56

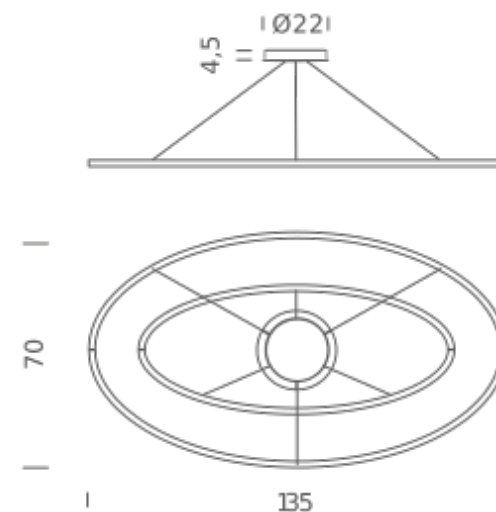
## Structure/Diffuser

white/white  
black/white  
gold painted/white  
polished aluminium/white  
gold polished anodized/white

## PACKAGE

Package 01 Dimension: 15x80x150 cm / Gross weight: 7,5 kg

## Certificazioni



# LED 3000K

## LAMPING

Source	linear LED
Total power	85W
Emission	diffused orientable uplight(minor), diffused orientable downlight (major)
Switching	dimnable 1-10V
Tension	110/240V
Color temperature	3000K
Luminous flux	2825+1850lm
Typ CRI	85
Materials	Aluminium
Notes	adjustable cable length from 2,5m to 0,4m, DALI version on request

## Codes

ELP LWW 56  
ELP LNW 56  
ELP LOW 56  
ELP LLW 56

## Structure/Diffuser

white/white  
black/white  
gold painted/white  
polished aluminium/white

## PACKAGE

Package 01 Dimension: 15x80x150 cm / Gross weight: 7,5 kg

## Certificazioni

