

# ELLISSE PENDANT MINOR

*Federico Palazzari*

Realised in various versions through an innovative technology developed by Nemo for coupling extrusions, Ellisse guarantees diffused direct and indirect lighting with the LED housed within the structure while remaining unobtrusive. The design is linear and contemporary, while an elegant black marble base becomes a pedestal for the floor version.



# DOWNLIGHT 2700K

## LAMPING

Source	linear LED
Total power	50W
Emission	diffused
Switching	dimnable 1-10V
Tension	110-240V
Color temperature	2700K
Luminous flux	2250lm
Typ CRI	85
IP class	20
Materials	Aluminium
Notes	adjustable cable length from 2,5m to 0,4m, DALI version on request, TRIAC VERSION on request

## Codes

ELP LW2 52  
ELP LN2 52  
ELP LO2 52  
ELP LL2 52  
ELP LGW 52

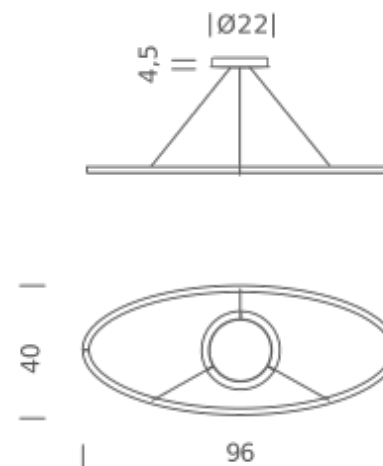
## Structure

white  
black  
gold painted  
polished aluminium  
gold polished anodized

## PACKAGE

Package 01 Dimension: 15x80x150 cm / Gross weight: 7,5 kg

## Certificazioni



## DOWNLIGHT 3000K

### LAMPING

Source	linear LED
Total power	50W
Emission	diffused
Switching	dimnable 1-10V
Tension	110-240V
Color temperature	3000K
Luminous flux	2250lm
Typ CRI	85
IP class	20
Materials	Aluminium
Notes	adjustable cable length from 2,5m to 0,4m, DALI version on request

### Codes

ELP LWW 52  
ELP LNW 52  
ELP LOW 52  
ELP LLW 52

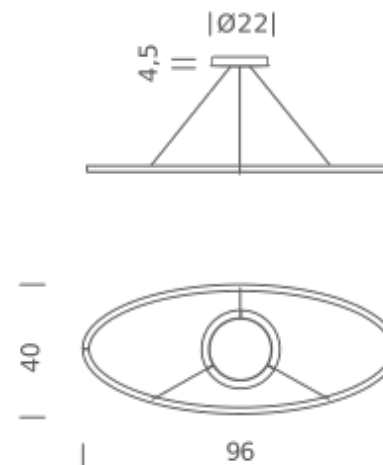
### Structure

white  
black  
gold painted  
polished aluminium

### PACKAGE

Package 01 Dimension: 15x80x150 cm / Gross weight: 7,5 kg

### Certificazioni



# UPLIGHT 2700K

## LAMPING

Source	linear LED
Total power	50W
Emission	diffused
Switching	dimnable 1-10V
Tension	110-240V
Color temperature	2700K
Luminous flux	2250lm
Typ CRI	85
IP class	20
Materials	Aluminium
Notes	adjustable cable length from 2,5m to 0,4m, DALI version on request

## Codes

ELP LW2 51  
ELP LN2 51  
ELP LO2 51  
ELP LL2 51  
ELP LGW 51

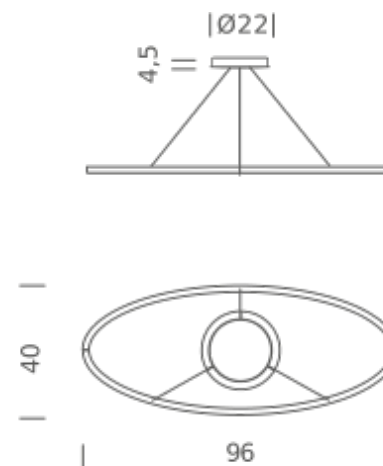
## Structure

white  
black  
gold painted  
polished aluminium  
gold polished anodized

## PACKAGE

Package 01 Dimension: 15x80x150 cm / Gross weight: 7,5 kg

## Certificazioni



# UPLIGHT 3000K

## LAMPING

Source	linear LED
Total power	50W
Emission	diffused
Switching	dimmable 1-10V
Tension	110-240V
Color temperature	3000K
Luminous flux	2250lm
Typ CRI	85
IP class	20
Materials	Aluminium
Notes	adjustable cable length from 2,5m to 0,4m, DALI version on request

## Codes

ELP LWW 51  
ELP LNW 51  
ELP LOW 51  
ELP LLW 51

## Structure

white  
black  
gold painted  
polished aluminium

## PACKAGE

Package 01 Dimension: 15x80x150 cm / Gross weight: 7,5 kg

## Certificazioni

