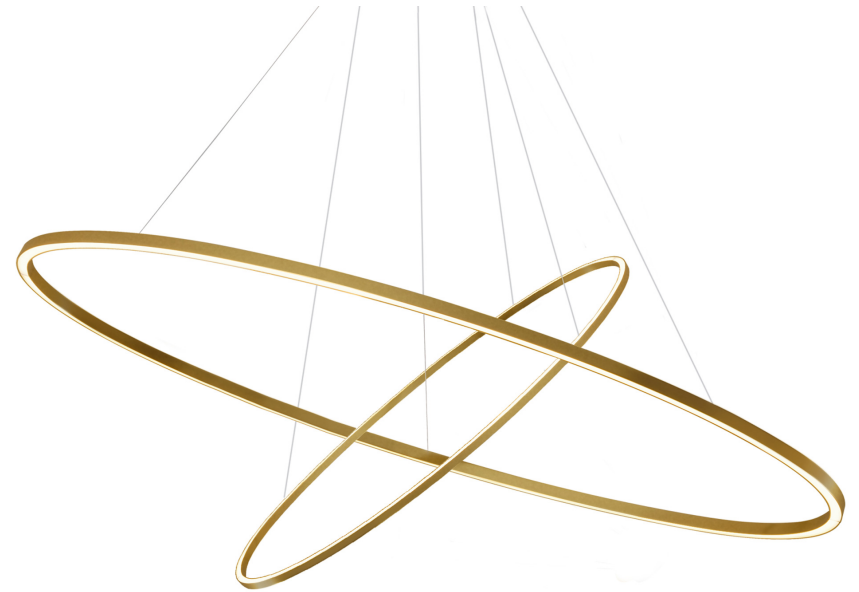


ELLISSE PENDANT DOUBLE MEGA

Federico Palazzari

Realised in various versions through an innovative technology developed by Nemo for coupling extrusions, Ellisse guarantees diffused direct and indirect lighting with the LED housed within the structure while remaining unobtrusive. The design is linear and contemporary, while an elegant black marble base becomes a pedestal for the floor version.



2700K

LAMPING

Source	Linear LED
Total power	90W
Emission	diffused uplight (major), diffused downlight (mega)
Switching	dimnable, DALI push
Tension	110-240V
Color temperature	2700K
Luminous flux	2825+1850lm (real luminous output)
Typ CRI	85
IP class	20
Materials	Aluminium
Notes	adjustable cable length from 2,5m to 0,4m, white RAL 9003, black RAL 9005, TRIAC VERSION on request (+200€), 1-10V version on request (+120€), CASAMBI version on request (+225€)
Net lamp weight	5,5 kg

Codes

ELP LW2 5A
ELP LN2 5A
ELP LO2 5A

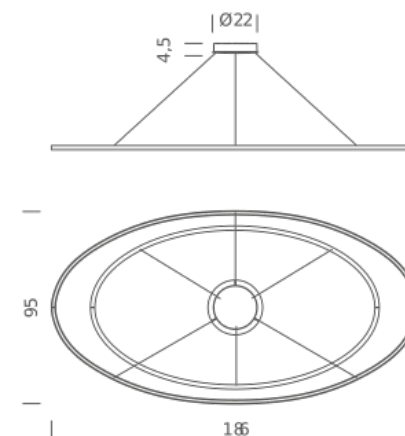
Structure

white
black
gold painted

PACKAGE

Package 01 Dimension: 14x101x201 cm / Gross weight: 7,5 kg

Certificazioni



3000K

LAMPING

Source	Linear LED
Total power	90W
Emission	diffused uplight (major), diffused downlight (mega)
Switching	dimmable, DALI push
Tension	110-240V
Color temperature	3000K
Luminous flux	2825+1850lm (real luminous output)
Typ CRI	85
IP class	20
Materials	Aluminium
Notes	adjustable cable length from 2,5m to 0,4m, white RAL 9003, black RAL 9005, TRIAC VERSION on request (+200€), 1-10V version on request (+120€), CASAMBI version on request (+225€)
Net lamp weight	5,5 kg

Codes

ELP LWW 5A
ELP LNW 5A
ELP LOW 5A

Structure

white
black
gold painted

PACKAGE

Package 01 Dimension: 14x101x201 cm / Gross weight: 7,5 kg

Certificazioni

