

KEPLER MINOR

Arihiro Miyake

Small version of the Kepler lamp. Suspension lamp in extruded aluminum powder coated. Available in uplight and down light versions in white, black and the new gold finish. The continuous line is made through a three-dimensional process of extruded aluminum, designed based on the geometric principle of the Moebius strip.



DOWNLIGHT 2700K

LAMPING

| | |
|-------------------|--|
| Source | Linear LED |
| Total power | 77W |
| Emission | diffused downlight |
| Switching | dimmable 1-10V |
| Tension | 110/240V |
| Color temperature | 2700K |
| Luminous flux | 4000lm |
| Typ CRI | 85 |
| Energy class | A+ |
| Materials | aluminium + PC |
| Notes | adjustable cable length from 2,5m to 0,4m, DALI version on request |
| Net lamp weight | 6 kg |

Codes

KEM LWW 54
KEM LNN 54
KEM LOW 54

Structure

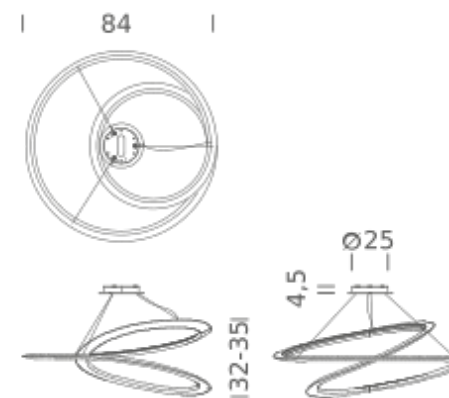
white
black
gold painted

PACKAGE

Package 01

Dimension: 90x90x45 cm / Gross weight: 11 kg

Certificazioni



DOWNLIGHT 3000K

LAMPING

| | |
|-------------------|--|
| Source | Linear LED |
| Total power | 77W |
| Emission | diffused downlight |
| Switching | dimmable 1-10V |
| Tension | 110/240V |
| Color temperature | 3000K |
| Luminous flux | 4000lm |
| Typ CRI | 85 |
| Energy class | A+ |
| Materials | aluminium + PC |
| Notes | adjustable cable length from 2,5m to 0,4m, DALI version on request |
| Net lamp weight | 6 kg |

Codes

KEM LWW 52
KEM LNN 52
KEM LOW 52

Structure

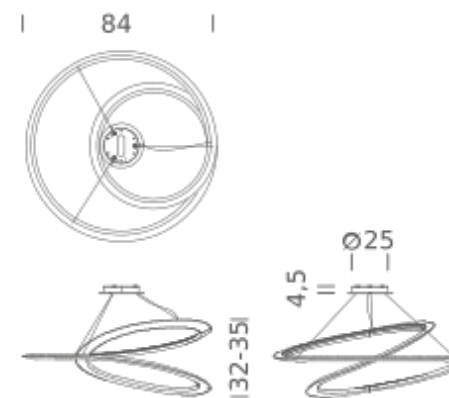
white
black
gold painted

PACKAGE

Package 01

Dimension: 90x90x45 cm / Gross weight: 11 kg

Certificazioni



UPLIGHT 2700K

LAMPING

| | |
|-------------------|--|
| Source | Linear LED |
| Total power | 77W |
| Emission | diffused uplight |
| Switching | dimmable 1-10V |
| Tension | 110/240V |
| Color temperature | 2700K |
| Luminous flux | 4000lm |
| Typ CRI | 85 |
| Energy class | A+ |
| Materials | aluminium + PC |
| Notes | adjustable cable length from 2,5m to 0,4m, DALI version on request |
| Net lamp weight | 6 kg |

Codes

KEM LWW 53
KEM LNN 53
KEM LOW 53

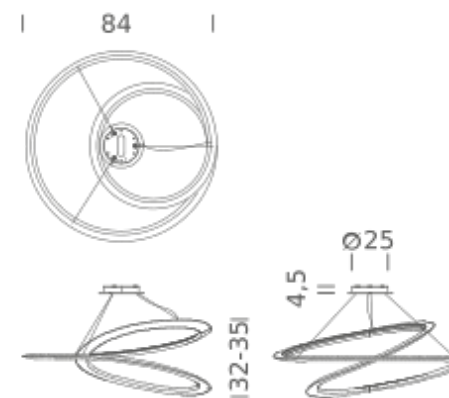
Structure

white
black
gold painted

PACKAGE

Package 01 Dimension: 90x90x45 cm / Gross weight: 11 kg

Certificazioni



UPLIGHT 3000K

LAMPING

| | |
|-------------------|--|
| Source | Linear LED |
| Total power | 77W |
| Emission | diffused uplight |
| Switching | dimmable 1-10V |
| Tension | 110/240V |
| Color temperature | 3000K |
| Luminous flux | 4000lm |
| Typ CRI | 85 |
| Energy class | A+ |
| Materials | aluminium + PC |
| Notes | adjustable cable length from 2,5m to 0,4m, DALI version on request |
| Net lamp weight | 6 kg |

Codes

KEM LWW 51
KEM LNN 51
KEM LOW 51

Structure

white
black
gold painted

PACKAGE

Package 01

Dimension: 90x90x45 cm / Gross weight: 11 kg

Certificazioni

