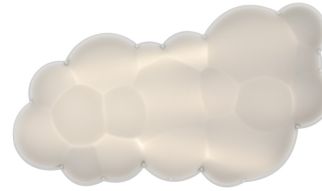


NUVOLA WALL CEILING MINOR

Mario Bellini

Mario Bellini designed Nuvola in 1974 for 'Pianeta Ufficio'. A metaphysical collection of strong visual impact, made in rotational moulding for a 360° light diffusion.



LED H25

LAMPING

Source	linear LED
Total power	45W
Emission	diffused
Switching	dimnable, DALI push
Tension	110-240V
Color temperature	2700K
Luminous flux	3000lm
Typ CRI	85
IP class	20
Notes	TRIAC version on request (+200€), 1-10V version on request (+120€), CASAMBI version on request (+225€)
Net lamp weight	4,5 kg

Codes

NUM LWW 31

Structure

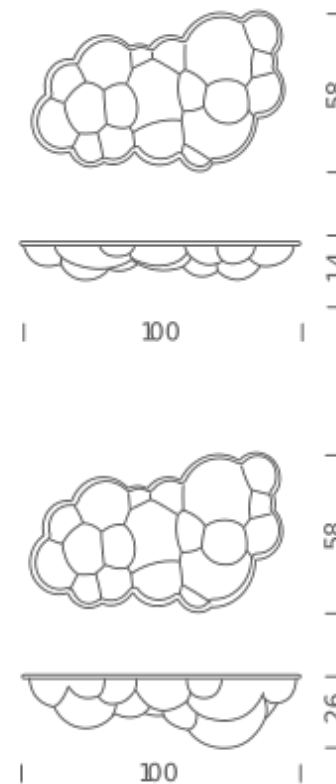
white

PACKAGE

Package 01

Dimension: 110x66x51 cm / Gross weight: 5,5 kg

Certificazioni



LED H14

LAMPING

Source	linear LED
Total power	45W
Emission	diffused
Switching	dimnable, DALI push
Tension	110-240V
Color temperature	2700K
Luminous flux	3000lm
Typ CRI	85
IP class	20
Notes	TRIAC version on request (+200€), 1-10V version on request (+120€), CASAMBI version on request (+225€)
Net lamp weight	4,5 kg

Codes

NUM LWW 32

Structure

white

PACKAGE

Package 01

Dimension: 110x66x51 cm / Gross weight: 5,5 kg

Certificazioni

