

PROJECTEUR 365 WALL CEILING

Le Corbusier

Between 1951 and 1957, Le Corbusier designed the Sanskar Kendra Museum, a museum in the Indian city of Ahmedabad. The spiralshaped building contains all the fundamentals of his architecture. For this project, in 1954 Le Corbu conceived a lighting system he named “Projecteur”, installed in the structure to maximise the lighting effect.



LED/HALO/FLUO IP20

LAMPING

Source	E27
Total power	150W
Emission	direct
Switching	dimmable according to bulb
Tension	230V
IP class	20
Materials	aluminium
Notes	orientable

Codes

PRJ EDW 3A
PRJ EWS 3A
PRJ EMS 3A

Structure

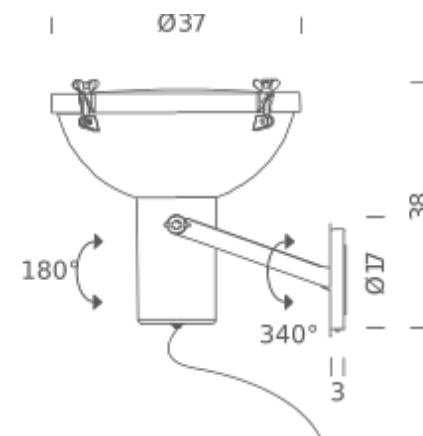
night blue
white sand
moka

PACKAGE

Package 01

Dimension: 50x50x50 cm / Gross weight: 7 kg

Certificazioni



LED/HALO/FLUO IP54

LAMPING

Source	E27
Total power	60W
Emission	direct,
Switching	dimmable according to bulb
Tension	230V
IP class	54
Materials	aluminium
Notes	orientable

Codes

PRJ EDW 32
PRJ EWS 32
PRJ EMS 32

Structure

night blue
white sand
moka

PACKAGE

Package 01

Dimension: 50x50x50 cm / Gross weight: 7 kg

Certificazioni

