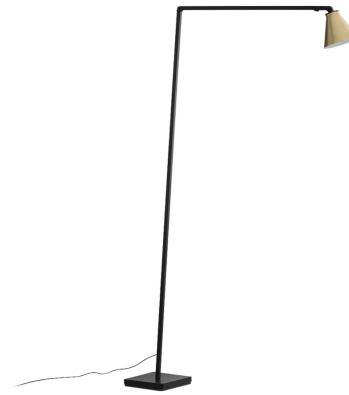


# UNTITLED READING CONE

*Bernhard Osann*

Family of table, floor and wall LED lamps in extruded matt black painted aluminum with joints for flexible and dynamic positioning of the light.

Available in the version with the linear lighting unit in polymer filled with glass fibers that rotates on itself and in the version with cylindrical spot light in aluminum. Dimmer on board located on the lamp stem.



# LED 2700K

## LAMPING

Source	LED spot
Total power	6,5W
Emission	spot orientable
Switching	dimnable, on board
Tension	110/240V
Color temperature	2700K
Luminous flux	348lm
Typ CRI	90
Energy class	A+
Materials	aluminum, technopolymer
Notes	cabale length 2m
Net lamp weight	5 kg

## Codes

UNT LNN 25

## Structure/Diffuser

black/gold burnished

## PACKAGE

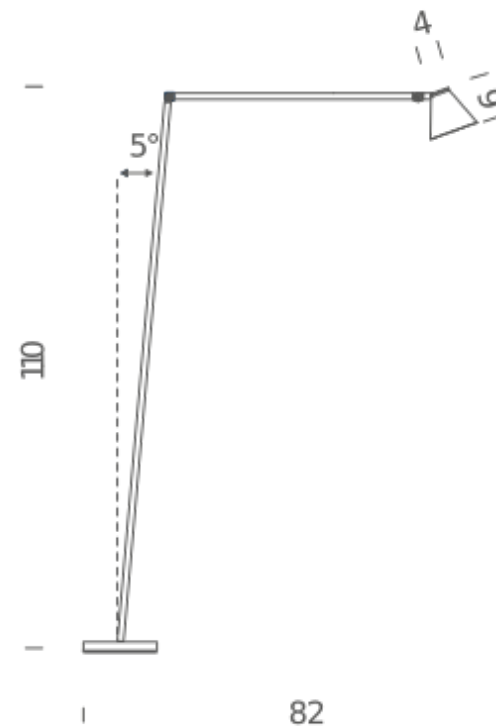
Package 01

Dimension: 206x15x11 cm / Gross weight: 4,5 kg

Package 02

Dimension: 24x20x8 cm / Gross weight: 1,5 kg

## Certificazioni



# LED 3000K

## LAMPING

Source	LED spot
Total power	6,5WW
Emission	spot orientable
Switching	dimnable, on board
Tension	110/240V
Color temperature	3000K
Luminous flux	348lm
Typ CRI	90
Energy class	A+
Materials	aluminum, technopolymer
Notes	cabale length 2m
Net lamp weight	5 kg

## Codes

UNT LNN 26

## Structure/Diffuser

black/gold burnished

## PACKAGE

Package 01

Dimension: 206x15x11 cm / Gross weight: 4,5 kg

Package 02

Dimension: 24x20x8 cm / Gross weight: 1,5 kg

## Certificazioni

