

LUX GARDEN

LUX is a collection of high-performance spots for outdoor applications.

Lux Garden is proposed on a special rod for outdoor installations in the ground and it is orientable and adjustable. The spot slides on the rod allowing positioning as desired.

Spots are available in different finishes, color temperatures and beam angles. Dimmable via 1-10V and DALI.



3000K | 17°

LAMPING

Source	LED
Total power	4.2W
Emission	orientable
Switching	according to driver
Tension	350mA
Color temperature	3000K
Luminous flux	366lm
Initial luminaire efficacy	90lm/W
Initial chromaticity	SDCM<3
Typ CRI	90
IP class	67
Dimensions	Ø5x8.8x80
Materials	anodized aluminium
Ambient temperature range	-20°C/35°C
Performance ambient temperature	25°C
Notes	driver not included. compatible control: 1-10V, DALI, DMX, Casambi
Customization options	2700K
Accessories	Drivers 350mA,
Net lamp weight	0.4 kg

Codes

BLUG3001N21WAA
BLUG3001N21WAN
BLUG3001N21WVE

Structure

grey
black
green

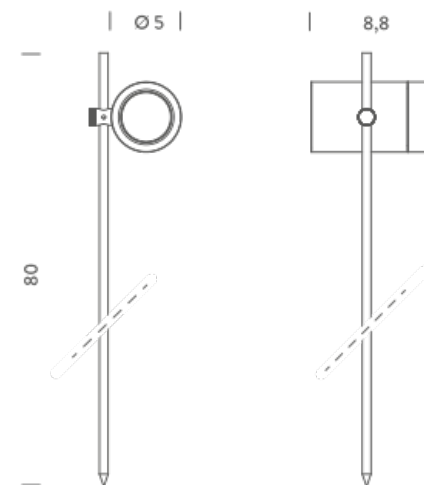
PACKAGE

Package 01 Dimension: 110x12x12 cm / Gross weight: 1,42 kg

Certificazioni



NEMO^{3,000}



3000K | 46°

LAMPING

Source	LED
Total power	4.2W
Emission	orientable
Switching	accordi to driver
Tension	350mA
Color temperature	3000K
Luminous flux	366lm
Initial luminaire efficacy	90lm/W
Initial chromaticity	SDCM<3
Typ CRI	90
IP class	67
Dimensions	Ø5x8.8x80
Materials	anodized aluminum
Ambient temperature range	-20°C/35°C
Performance ambient temperature	25°C
Notes	driver not included. compatible control: 1-10V, DALI, DMX, Casambi
Customization options	2700K
Accessories	Drivers 350mA,
Net lamp weight	0.4 kg

Codes

BLUG3001F21WAA
BLUG3001F21WAN
BLUG3001F21WVE

Structure

grey
black
green

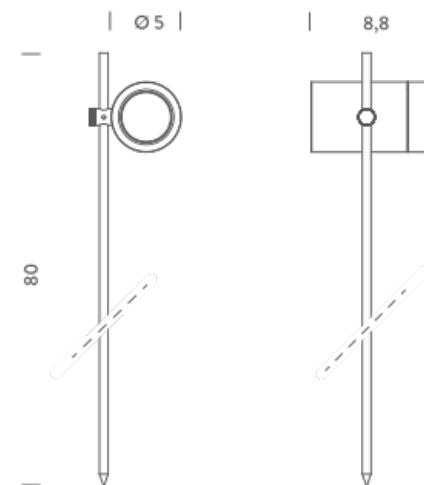
PACKAGE

Package 01 Dimension: 110x12x12 cm / Gross weight: 1,42 kg

Certificazioni



NEMO^{3,000}



4000K | 17°

LAMPING

Source	LED
Total power	4.2W
Emission	orientable
Switching	according to driver
Tension	350mA
Color temperature	4000K
Luminous flux	372lm
Initial luminaire efficacy	90lm/W
Initial chromaticity	SDCM<3
Typ CRI	90
IP class	67
Dimensions	Ø5x8.8x80
Materials	anodized aluminum
Ambient temperature range	-20°C//35°C
Performance ambient temperature	25°C
Notes	driver not included. compatible control: 1-10V, DALI, DMX, Casambi
Customization options	2700K
Accessories	Drivers 350mA,
Net lamp weight	0.4 kg

Codes

BLUG3001N21NAA
BLUG3001N21NAN
BLUG3001N21NVE

Structure

grey
black
green

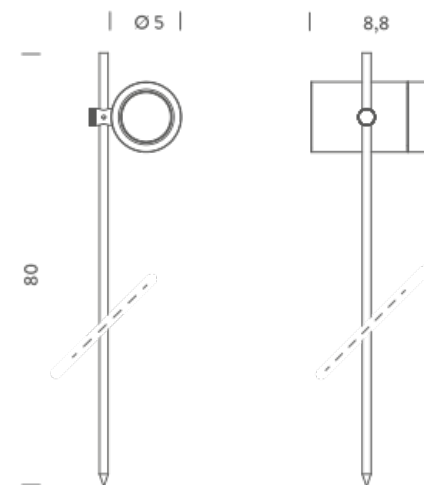
PACKAGE

Package 01 Dimension: 110x12x12 cm / Gross weight: 1,42 kg

Certificazioni



NEMO_{3,000}



4000K | 46°

LAMPING

Source	LED
Total power	4.2W
Emission	orientable
Switching	according to driver
Tension	350mA
Color temperature	4000K
Luminous flux	372lm
Initial luminaire efficacy	90lm/W
Initial chromaticity	SDCM<3
Typ CRI	90
IP class	67
Dimensions	Ø5x8.8x80
Materials	anodized aluminum
Ambient temperature range	-20°C/35°C
Performance ambient temperature	25°C
Notes	driver not included. compatible control: 1-10V, DALI, DMX, Casambi
Customization options	2700K
Accessories	Drivers 350mA,
Net lamp weight	0.4 kg

Codes

BLUG3001F21NAA
BLUG3001F21NAN
BLUG3001F21NVE

Structure

grey
black
green

PACKAGE

Package 01 Dimension: 110x12x12 cm / Gross weight: 1,42 kg

Certificazioni



NEMO^{3,000}

