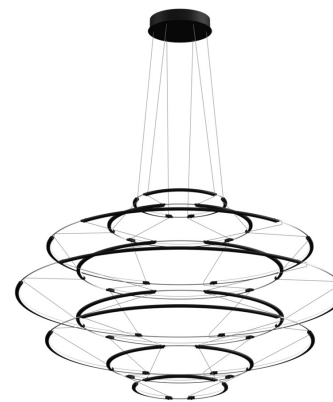


DROP 9

Arihiro Miyake

Instinct and constant design diligence in a collection that is the outcome of a sophisticated lighting engineering. A clear lines chandelier combined with an extremely slim aluminium structure for a soft echo of strong and diffused light. Each profile and connector is linked through a miniaturised connection for a unique result of suspended lightness.



2700K

LAMPING

Source	linear LED
Total power	90W
Emission	diffused
Switching	dimnable, DALI push
Tension	110-240V
Color temperature	2700K
Luminous flux	2277lm
Typ CRI	90
Dimensions	ø110x65cm
Notes	total height 66cm, cable length 2,5m, black RAL 9005, TRIAC VERSION on request (+200€), 1-10V version on request (+120€), CASAMBI version on request (+225€)
Net lamp weight	2.8kg kg

Codes

DRP LNN 53
DRP LDD 53
DRP LGG 53

Structure

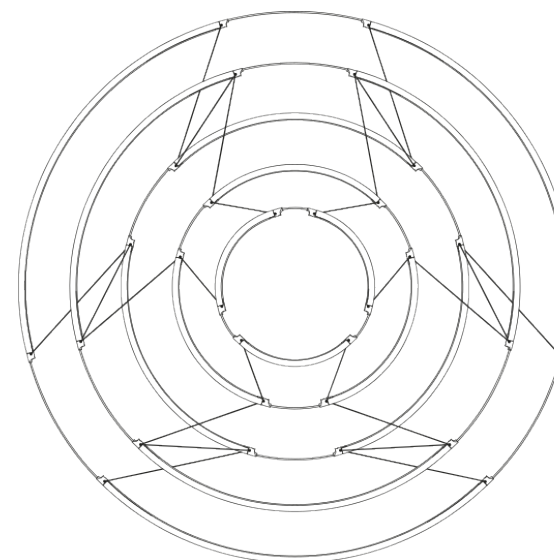
black
satin silver
satin gold

PACKAGE

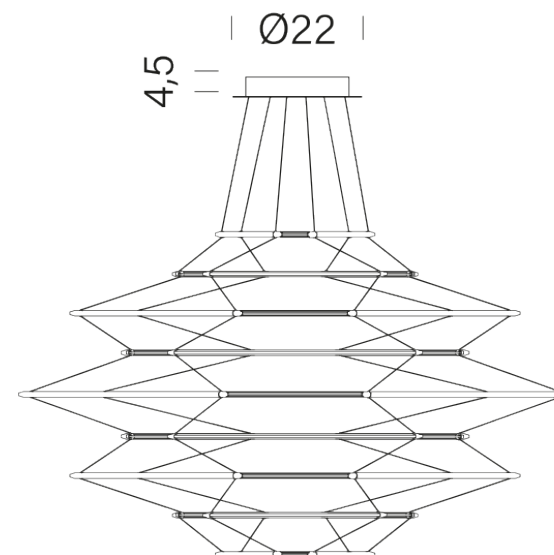
Package 01

Dimension: 110X110X60 cm

Certificazioni



110



4,5

Ø22

66±3