

TYPE

Guillaume Bloget

Type represents a sophisticated and technical object that brings the most advanced research in optics and dimming control into the domestic environment. Designed for spot lighting, a simple hand gesture can orient the light, vary the intensity and adjust the beam angle. A magnetic spherical joint swivels the spot, providing significant adjustments.



2700K

LAMPING

Source	LED board
Total power	8W
Emission	spot light, orientable 360°
Switching	dim and zoom on board
Tension	110-240V
Color temperature	2700K
Luminous flux	466lm*
Typ CRI	90
IP class	20
Dimensions	ø26x140
Materials	aluminum + steel for base
Notes	cable length 2m. 360° magnetic rotation. 15-60° optic, nominal flux*

Codes

TYP LNN 21
TYP LSN 21

Structure

black
aluminum satin

PACKAGE

Package 01

Dimension: 146x23x11 cm / Net weight: 1,1 kg / Gross weight: 2 kg

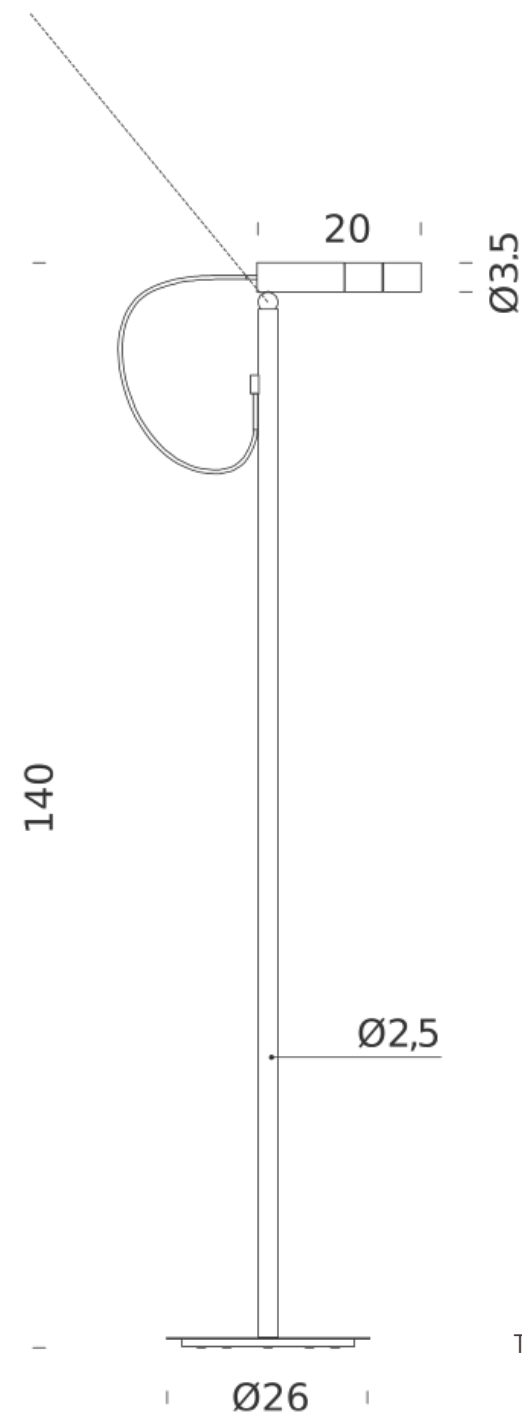
Package 02

Dimension: 30x32x12 cm / Net weight: 3,5 kg / Gross weight: 4,5 kg

Certificazioni



360° magnet rotation



3000K

LAMPING

Source	LED board
Total power	8W
Emission	spot light, orientable 360°
Switching	dim and zoom on board
Tension	110-240V
Color temperature	3000K
Luminous flux	466lm*
Typ CRI	90
IP class	20
Dimensions	ø26x140
Materials	aluminum + steel for base
Notes	cable length 2m. 360° magnetic rotation. 15-60° optic, nominal flux*

Codes

TYP LNN 22

TYP LSN 22

PACKAGE

Package 01

Dimension: 146x23x11 cm / Net weight: 1,1 kg / Gross weight: 2 kg

Package 02

Dimension: 30x32x12 cm / Net weight: 3,5 kg / Gross weight: 4,5 kg

Certificazioni



360° magnet rotation

