

ZIRKOL SIDE

Zirkol Side, new piece of the collection, enables lateral and homogeneous light emission. Anodised aluminium body and opal protection screen. Available in the finishes black and white and in the LED colour temperatures of 2700K, 3000K and 4000K. Remote driver and DALI dimmer interface included.



Ø1M | 2700K

LAMPING

Source	Linear LED
Total power	136W
Switching	DALI 1-100%
Tension	220/240V
Typ CRI	90
Notes	RAL 9005 black RAL 9016 white shipped assembled

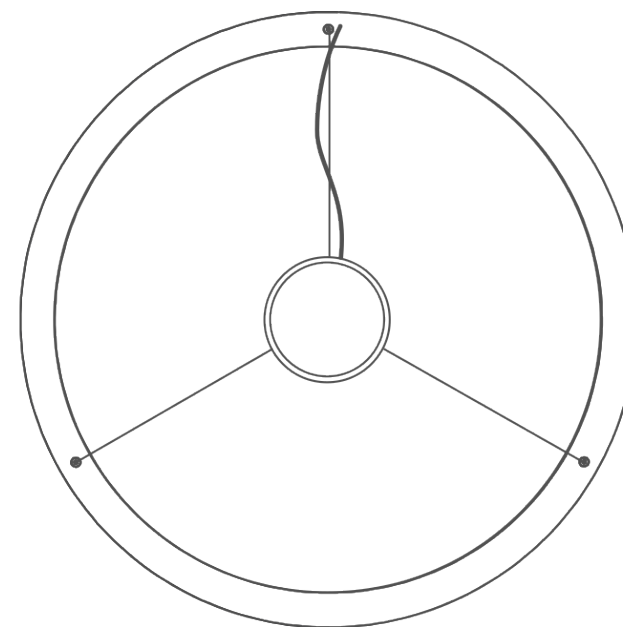
Codes

BZRS1715G15DNE
BZRS1715G15DBO

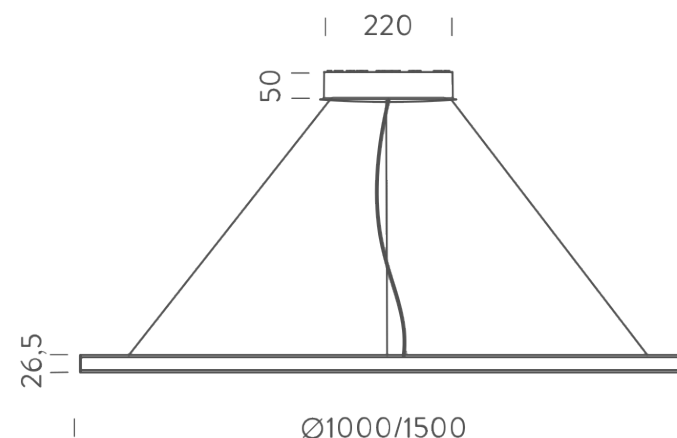
Structure

black
white

Certificazioni



Ø1000/1500



Ø1000/1500

Ø1M | 3000K

LAMPING

Source	Linear LED
Total power	136W
Switching	DALI 1-100%
Tension	220/240V
Typ CRI	90
Notes	RAL 9005 black RAL 9016 white shipped assembled

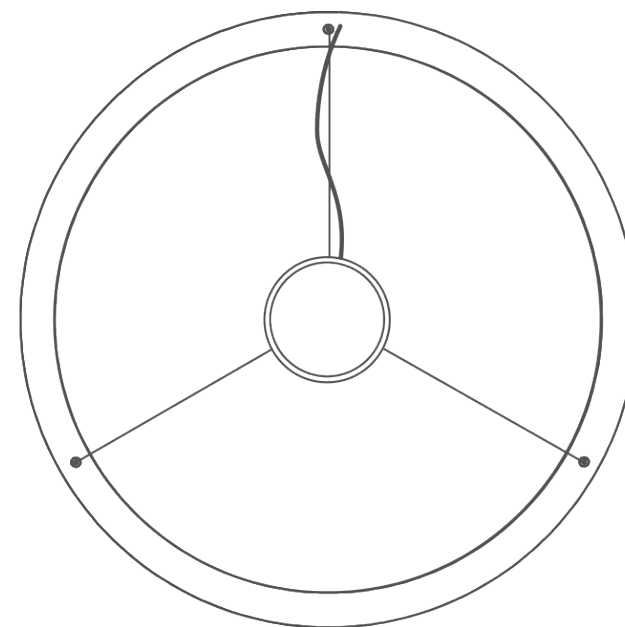
Codes

BZRS1715G15WNE
BZRS1715G15WBO

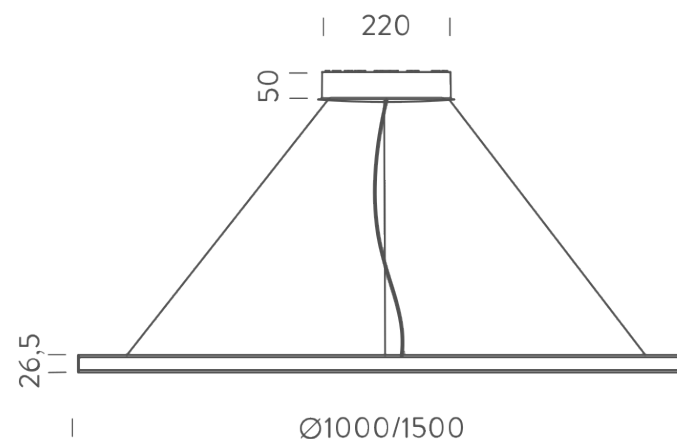
Structure

black
white

Certificazioni



Ø1000/1500



Ø1000/1500

Ø1M | 4000K

LAMPING

Source	Linear LED
Total power	136W
Switching	DALI 1-100%
Tension	220/240V
Typ CRI	90
Notes	RAL 9005 black RAL 9016 white shipped assembled

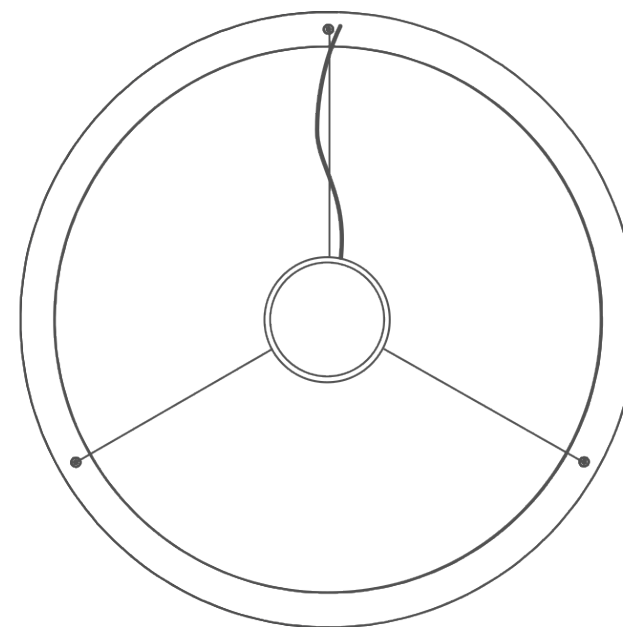
Codes

BZRS1715G15NNE
BZRS1715G15NBO

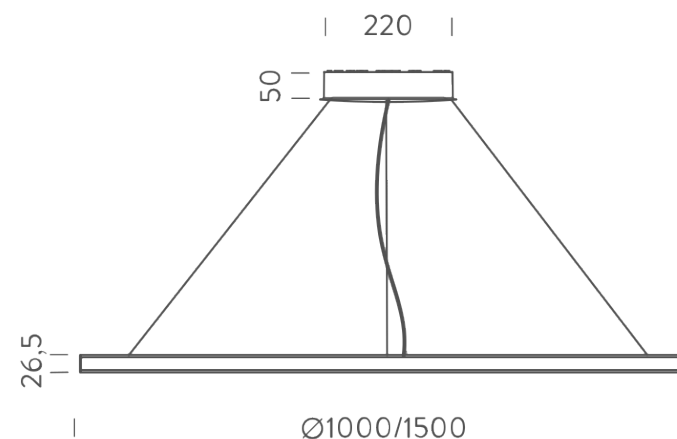
Structure

black
white

Certificazioni



Ø1000/1500



Ø1,5M | 2700K

LAMPING

Source	Linear LED
Total power	136W
Switching	DALI 1-100%
Tension	220/240V
Color temperature	2700K
Typ CRI	90
Notes	RAL 9005 black RAL 9016 white shipped assembled

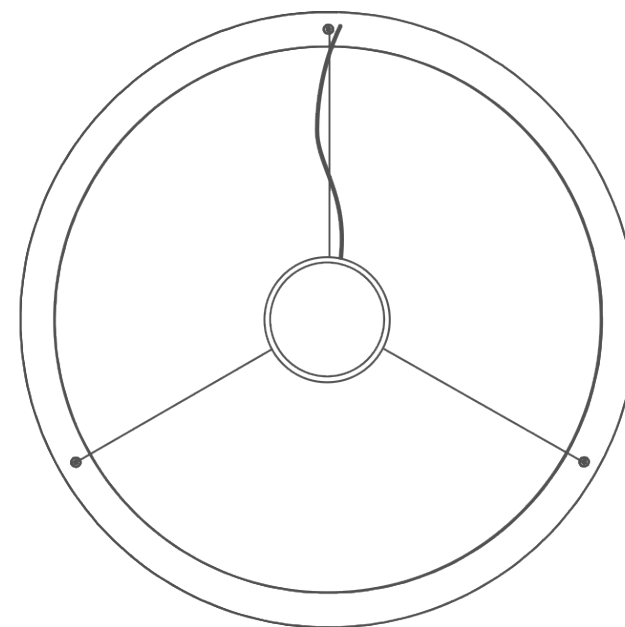
Codes

BZRS1715G15DNE
BZRS1715G15DBO

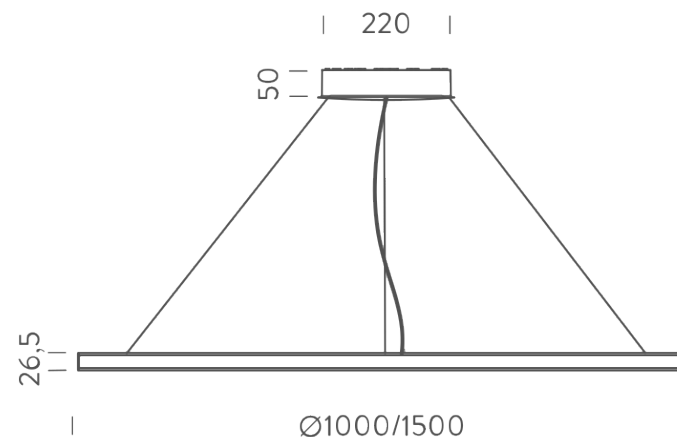
Structure

black
white

Certificazioni



| Ø1000/1500 |



Ø1,5M | 3000K

LAMPING

Source	Linear LED
Total power	136W
Switching	DALI 1-100%
Tension	220/240V
Color temperature	3000K
Typ CRI	90
Notes	RAL 9005 black RAL 9016 white shipped assembled

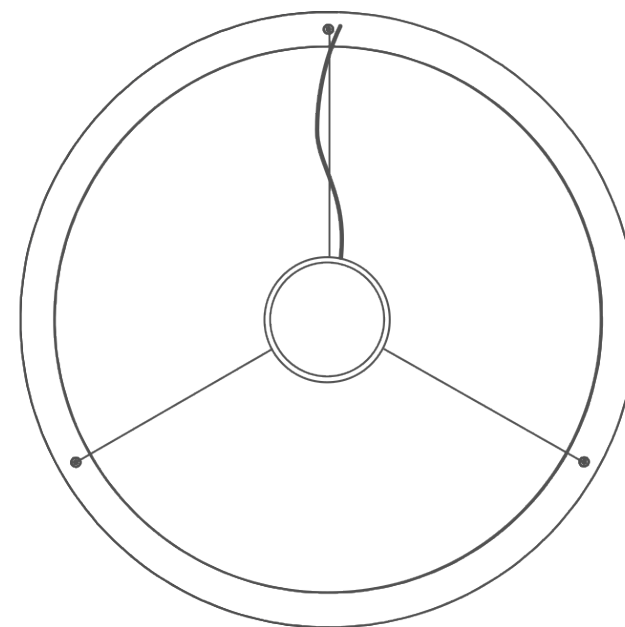
Codes

BZRS1715G15WNE
BZRS1715G15WBO

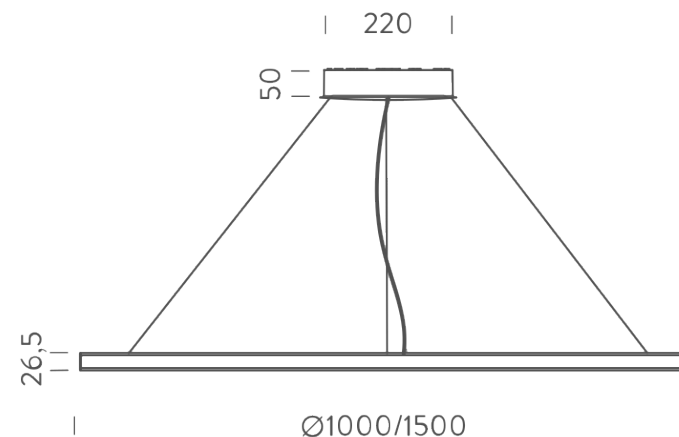
Structure

black
white

Certificazioni



Ø1000/1500



Ø1,5M | 4000K

LAMPING

Source	Linear LED
Total power	136W
Switching	DALI 1-100%
Tension	220/240V
Color temperature	4000K
Typ CRI	90
Notes	RAL 9005 black RAL 9016 white shipped assembled

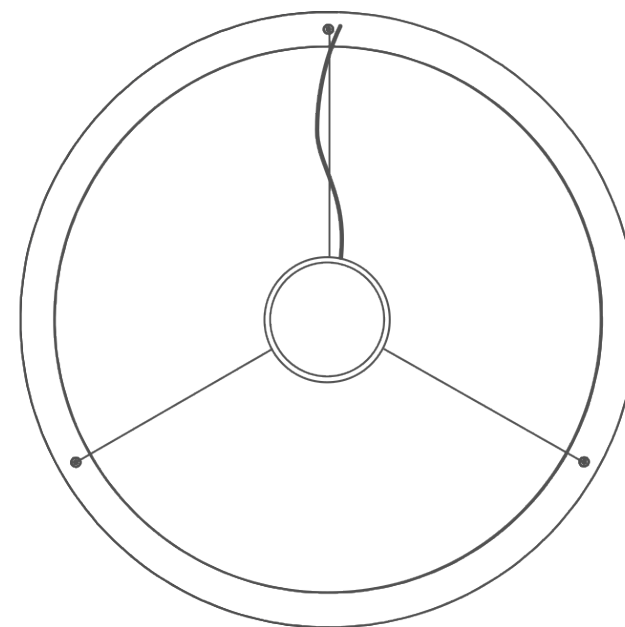
Codes

BZRS1715G15NNE
BZRS1715G15NBO

Structure

black
white

Certificazioni



Ø1000/1500

