

MINIFLUX LINEA OPAL

Miniflux Linea Opal is a pendant LED system for indoor. High-emission LED strip (24V DC) installed in an aluminium profile. CRI>97. Opal polycarbonate diffuser for homogeneous light emission. Available in the finishes black, red and gold and in two color temperatures. TRIAC and DALI versions. Remote power supply included.



LAMPING

Source	Linear LED
Total power	15W
Emission	Direct 120°
Switching	TRIAC
Tension	24VDC
Color temperature	2700K
Initial chromaticity	SDCM<2
Typ CRI	>97
Energy class	F
IP class	40
Dimensions	Ø20 x 1060mm
Materials	Polycarbonate
Ambient temperature range	-20°C / 50°C
Performance ambient temperature	25°C
Mechanical impact protection code	IK08
Notes	Driver included
Customization options	CCT 4000K on request
Net lamp weight	0.6 kg

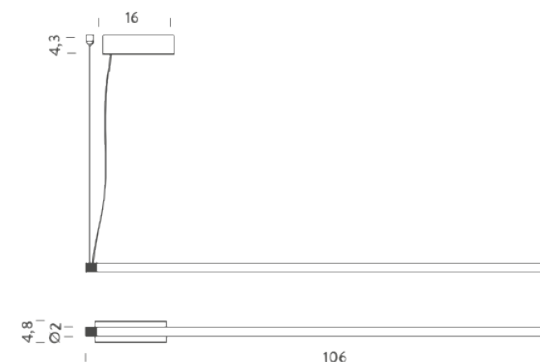
Codes

BMLO2710G26DAN
 BMLO2710G26DAR
 BMLO2710G26DAO

Structure

black
 red
 gold

Certificazioni



LAMPING

Source	Linear LED
Total power	15W
Emission	Direct 120°
Switching	TRIAC
Tension	24VDC
Color temperature	3000K
Luminous flux	905lm
Initial luminaire efficacy	60m/W
Initial chromaticity	SDCM<2
Typ CRI	>97
Energy class	F
IP class	40
Dimensions	Ø20 x 1060mm
Materials	Polycarbonate
Ambient temperature range	-20°C / 50°C
Performance ambient temperature	25°C
Mechanical impact protection code	IK08
Notes	Driver included
Customization options	CCT 4000K on request

Codes

BMLO2710G26WAN
 BMLO2710G26WAR
 BMLO2710G26WAO

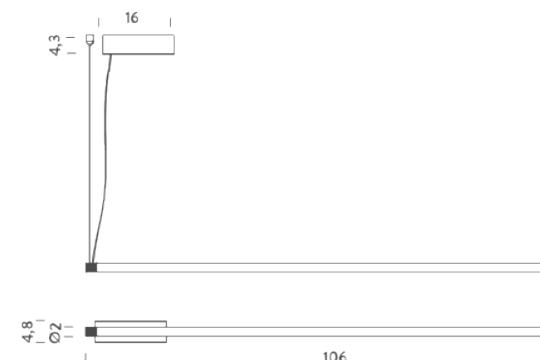
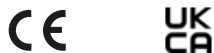
Structure

black
 red
 gold

PACKAGE

Package 01 Net weight: 0.6 kg

Certificazioni



LAMPING

Source	Linear LED
Total power	15W
Emission	Direct 120°
Switching	DALI
Tension	24VDC
Color temperature	2700K
Initial chromaticity	SDCM<2
Typ CRI	>97
Energy class	F
IP class	40
Dimensions	Ø20 x 1060mm
Materials	Polycarbonate
Ambient temperature range	-20°C / 50°C
Performance ambient temperature	25°C
Mechanical impact protection code	IK08
Notes	Driver included
Customization options	CCT 4000K on request
Net lamp weight	0.6 kg

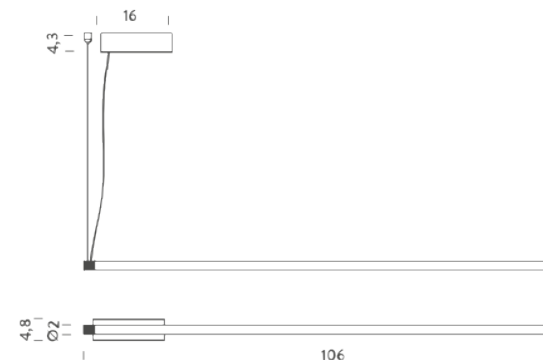
Codes

- BMLO1610G26DAN
- BMLO1610G26DAR
- BMLO1610G26DAO

Structure

- black
- red
- gold

Certificazioni



LAMPING

Source	Linear LED
Total power	15W
Emission	Direct 120°
Switching	DALI
Tension	24VDC
Color temperature	3000K
Luminous flux	905lm
Initial luminaire efficacy	60m/W
Initial chromaticity	SDCM<2
Typ CRI	>97
Energy class	F
IP class	40
Dimensions	Ø20 x 1060mm
Materials	Polycarbonate
Ambient temperature range	-20°C / 50°C
Performance ambient temperature	25°C
Mechanical impact protection code	IK08
Notes	Driver included
Customization options	CCT 4000K on request
Net lamp weight	0.6 kg

Codes

- BMLO1610G26WAN
- BMLO1610G26WAR
- BMLO1610G26WAO

Structure

- black
- red
- gold

Certificazioni

