

MINIFLUX LINEA WALL

Miniflux Linea Wall is a wall-mounted LED system for indoor. High-emission LED strip (24V DC) installed in an aluminium profile.

CRI>97. Transparent polycarbonate black diffuser. Available in two color temperatures. Dimmable push-button version on request.

Power supply included.



2700K

LAMPING

Source	Linear LED
Total power	12W
Emission	Direct 120°
Switching	Push-botton
Tension	240V
Color temperature	2700K
Initial chromaticity	SDCM<2
Typ CRI	>97
Energy class	F
IP class	40
Dimensions	32 x 1020mm
Materials	Polycarbonate
Ambient temperature range	-20°C / 50°C
Performance ambient temperature	25°C
Mechanical impact protection code	IK08
Notes	Driver included
Customization options	CCT 4000K on request

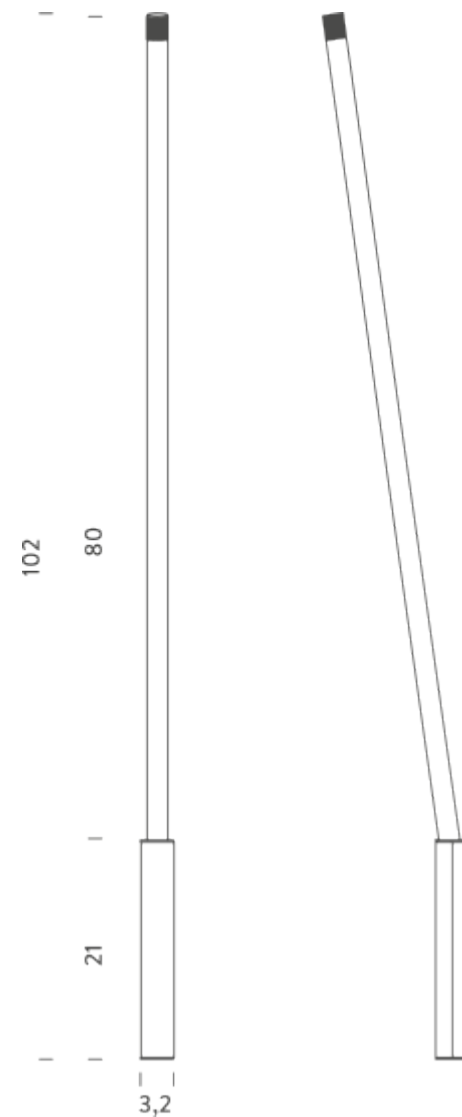
Codes

BMLW3908026DAN

Structure

black

Certificazioni



3000K

LAMPING

Source	Linear LED
Total power	12W
Emission	Direct 120°
Switching	Push-botton
Tension	240V
Color temperature	3000K
Luminous flux	717lm
Initial luminaire efficacy	60m/W
Initial chromaticity	SDCM<2
Typ CRI	>97
Energy class	F
IP class	40
Dimensions	32 x 1020mm
Materials	Polycarbonate
Ambient temperature range	-20°C / 50°C
Performance ambient temperature	25°C
Mechanical impact protection code	IK08
Notes	Driver included
Customization options	CCT 4000K on request

Codes

BMLW3908026WAN

Structure

black

PACKAGE

Package 01

Net weight: 0.6 kg

Certificazioni

