

ZIRKOL CIRCLE WALL

Dédié à l'éclairage indirect et à forte connotation décorative, Zirkol Wall est la nouvelle lampe de la collection, proposée avec une forme circulaire et une fixation murale. Trois températures de couleur LED disponibles, 2700K, 3000K ou 4000K et finition noire. La longueur des supports inclus, vous permet de créer différentes compositions de plusieurs lampes, pour un éclairage d'ambiance personnalisé.



Ø 1M | 2700K

LAMPING

Source	linear LED
Total power	45W
Emission	indirect diffused
Switching	DALI 1-100%
Tension	220/240V
Color temperature	2700K
Luminous flux	2616lm
Typ CRI	90
Energy class	E
IP class	20
Dimensions	ø100x5cm
Materials	aluminium
Notes	remote driver RAL 9005black shipped assembled. 1 x driver WALIM60W24VIN 1 x dimmer interface WDIMDALIHP 3 x tige 5 cm 3 x tige 16 cm
Net lamp weight	4 kg

Codes

BZRC4210G15DNE

Structure

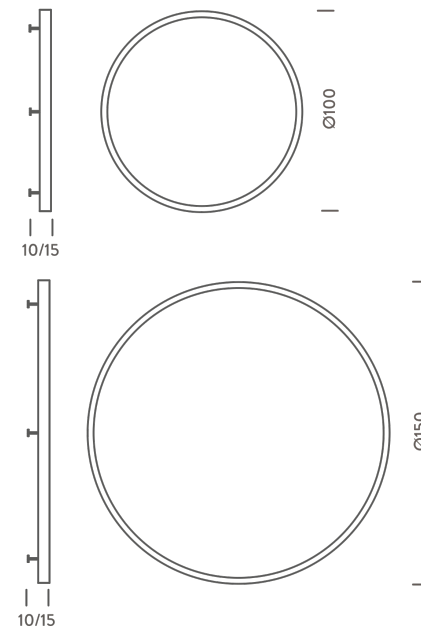
black

PACKAGE

Package 01

Dimension: 110x110x15 cm / Gross weight: 6,5 kg

Certificazioni



Ø 1M | 3000K

LAMPING

Source	linear LED
Total power	45W
Emission	indirect diffused
Switching	DALI 1-100%
Tension	220/240V
Color temperature	3000K
Luminous flux	2769lm
Typ CRI	90
Energy class	E
IP class	20
Dimensions	ø100x5cm
Materials	aluminium
Notes	remote driver RAL 9005black shipped assembled. 1 x driver WALIM60W24VIN 1 x dimmer interface WDIMDALIHP 3 x tige 5 cm 3 x tige 16 cm
Net lamp weight	4 kg

Codes

BZRC4210G15WNE

Structure

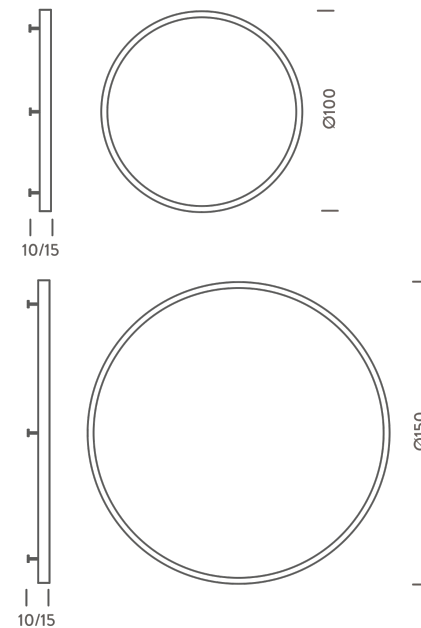
black

PACKAGE

Package 01

Dimension: 110x110x15 cm / Gross weight: 6,5 kg

Certificazioni



Ø 1M | 4000K

LAMPING

Source	linear LED
Total power	45W
Emission	indirect diffused
Switching	DALI 1-100%
Tension	220/240V
Color temperature	4000K
Luminous flux	3077lm
Typ CRI	90
Energy class	D
IP class	20
Dimensions	ø100x5cm
Materials	aluminum
Notes	remote driver RAL 9005black shipped assembled. 1 x driver WALIM60W24VIN 1 x dimmer interface WDIMDALIHP 3 x tige 5 cm 3 x tige 16 cm
Net lamp weight	4 kg

Codes

BZRC4210G15NNE

Structure

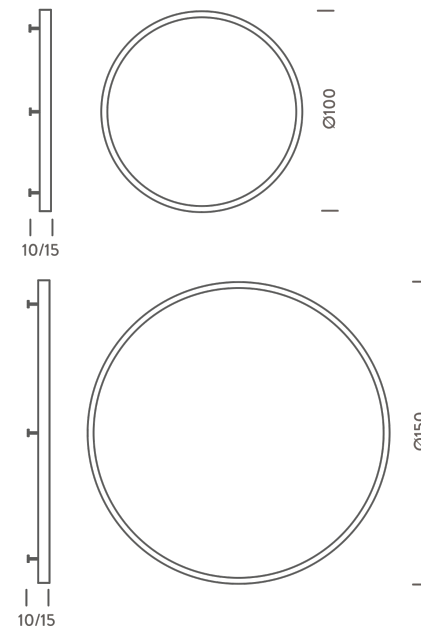
black

PACKAGE

Package 01

Dimension: 110x110x15 cm / Gross weight: 6,5 kg

Certificazioni



Ø 1,5M | 2700K

LAMPING

Source	linear LED
Total power	68W
Emission	indirect diffused
Switching	DALI 1-100%
Tension	220/240V
Color temperature	2700K
Luminous flux	3923lm
Typ CRI	90
Energy class	E
IP class	20
Dimensions	ø150x5cm
Materials	aluminum
Notes	remote driver RAL 9005 black shipped assembled. 1 x driver WALIM150W24VIN 1 x dimmer interface WDIMDALIHP 3 x tige 5 cm 3 x tige 16 cm
Net lamp weight	4 kg

Codes

BZRC4215G15DNE

Structure

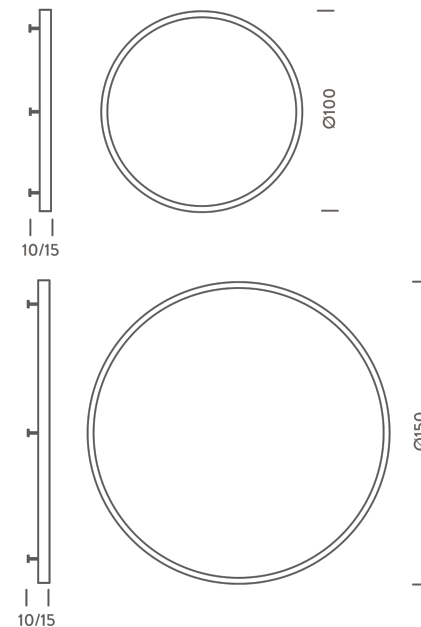
black

PACKAGE

Package 01

Dimension: 160x160x15 cm / Gross weight: 6,5 kg

Certificazioni



Ø 1,5M | 3000K

LAMPING

Source	linear LED
Total power	68W
Emission	indirect diffused
Switching	DALI 1-100%
Tension	220/240V
Color temperature	3000K
Luminous flux	4154lm
Typ CRI	90
Energy class	E
IP class	20
Dimensions	ø150x5cm
Materials	aluminum
Notes	remote driver RAL 9005 black shipped assembled. 1 x driver WALIM150W24VIN 1 x dimmer interface WDIMDALIHP 3 x tige 5 cm 3 x tige 16 cm
Net lamp weight	4 kg

Codes

BZRC4215G15WNE

Structure

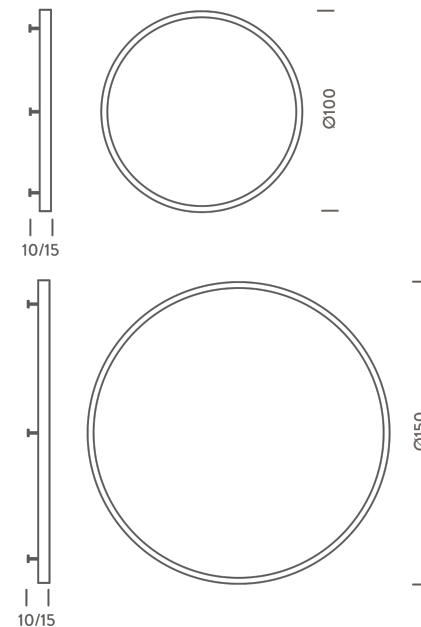
black

PACKAGE

Package 01

Dimension: 160x160x15 cm / Gross weight: 6,5 kg

Certificazioni



Ø 1,5M | 4000K

LAMPING

Source	linear LED
Total power	68W
Emission	indirect diffused
Switching	DALI 1-100%
Tension	220/240V
Color temperature	4000K
Luminous flux	4616lm
Typ CRI	90
Energy class	D
IP class	20
Dimensions	ø150x5cm
Materials	aluminum
Notes	remote driver RAL 9005 black shipped assembled. 1 x driver WALIM150W24VIN 1 x dimmer interface WDIMDALIHP 3 x tige 5 cm 3 x tige 16 cm
Net lamp weight	4 kg

Codes

BZRC4215G15NNE

Structure

black

PACKAGE

Package 01

Dimension: 160x160x15 cm / Gross weight: 6,5 kg

Certificazioni

