

LUX CEILING TRIM

LUX est la collection des spots à performance élevée pour application en extérieur. Lux Ceiling convient à l'éclairage direct. Il peut être installé dans un plafond en placo ou en bois et garantit un éclairage direct et homogène. Il est disponible en différentes finitions, températures de couleur et angles de faisceau. 1,2W et 12W



CEILING 12W | 2700° - 14°

LAMPING

Source	LED
Total power	12W
Emission	14°
Switching	according to driver
Tension	350mA
Color temperature	2700K
Luminous flux	1040lm
Initial luminaire efficacy	87lm/W
Initial chromaticity	SDCM<3
Typ CRI	>90
Energy class	F
IP class	65
Dimensions	Ø12,4x8,8
Materials	Aluminium
Ambient temperature range	-20°C/35°C
Performance ambient temperature	25°C
Notes	UGR<19
Net lamp weight	0,81 kg

Codes

BLUC0201N43DAA
BLUC0201N43DAN

Structure

grey
black

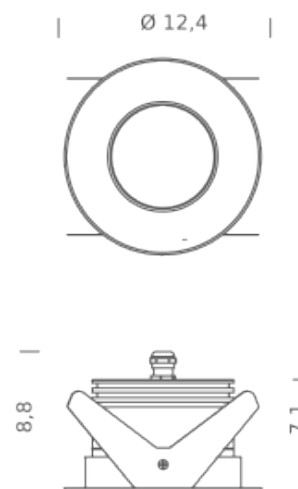
PACKAGE

Package 01 Dimension: 23,5x15x11 cm / Gross weight: 1,18 kg

Certificazioni



LUX CEILING TRIM 12W



LUX CEILING TRIM 1,2



CEILING 12W | 2700° - 53°

LAMPING

Source	LED
Total power	12W
Emission	53°
Switching	according to driver
Tension	350mA
Color temperature	2700K
Luminous flux	900lm
Initial luminaire efficacy	75lm/W
Initial chromaticity	SDCM<3
Typ CRI	>90
Energy class	F
IP class	65
Dimensions	Ø12,4x8,8
Materials	Aluminium
Ambient temperature range	-20°C/35°C
Performance ambient temperature	25°C
Notes	UGR<19
Net lamp weight	0,81 kg

Codes

BLUC0201H43DAA
BLUC0201H43DAN

Structure

grey
black

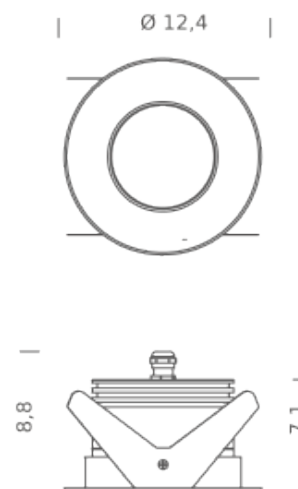
PACKAGE

Package 01 Dimension: 23,5x15x11 cm / Gross weight: 1,18 kg

Certificazioni



LUX CEILING TRIM 12W



LUX CEILING TRIM 1,2



CEILING 12W | 3000° - 14°

LAMPING

Source	LED
Total power	12W
Emission	14°
Switching	according to driver
Tension	350mA
Color temperature	3000K
Luminous flux	1100lm
Initial luminaire efficacy	92lm/W
Initial chromaticity	SDCM<3
Typ CRI	>90
Energy class	F
IP class	65
Dimensions	Ø12,4x8,8
Materials	Aluminium
Ambient temperature range	-20°C/35°C
Performance ambient temperature	25°C
Notes	UGR<19
Net lamp weight	0,81 kg

Codes

BLUC0201N43WAA
BLUC0201N43WAN

Structure

grey
black

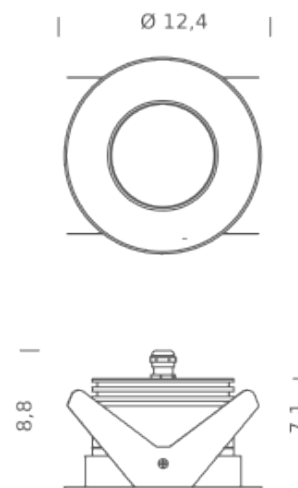
PACKAGE

Package 01 Dimension: 23,5x15x11 cm / Gross weight: 1,18 kg

Certificazioni



LUX CEILING TRIM 12W



LUX CEILING TRIM 1,2



CEILING 12W | 3000° - 53°

LAMPING

Total power	12W
Emission	53°
Switching	according to driver
Tension	350mA
Color temperature	3000K
Luminous flux	950lm
Initial luminaire efficacy	80lm/W
Initial chromaticity	SDCM<3
Typ CRI	>90
Energy class	F
IP class	65
Dimensions	Ø12,4x8,8
Materials	Aluminium
Ambient temperature range	-20°C/35°C
Performance ambient temperature	25°C
Notes	UGR<19
Net lamp weight	0,81 kg

Codes

BLUC0201H43WAA
BLUC0201H43WAN

Structure

grey
black

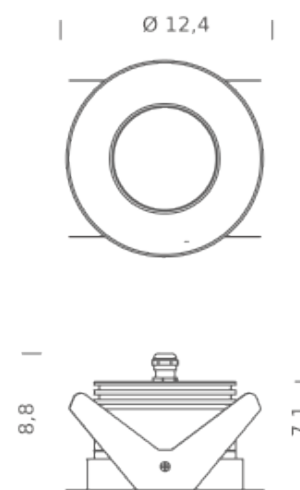
PACKAGE

Package 01 Dimension: 23,5x15x11 cm / Gross weight: 1,18 kg

Certificazioni



LUX CEILING TRIM 12W



LUX CEILING TRIM 1,2



CEILING 12W | 4000° - 14°

LAMPING

Source	LED
Total power	12W
Emission	14°
Switching	according to driver
Tension	350mA
Color temperature	4000K
Luminous flux	1200lm
Initial luminaire efficacy	100lm/W
Initial chromaticity	SDCM<3
Typ CRI	>90
Energy class	F
IP class	65
Dimensions	Ø12,4x8,8
Materials	Aluminium
Ambient temperature range	-20°C/35°C
Performance ambient temperature	25°C
Notes	UGR<19
Net lamp weight	0,81 kg

Codes

BLUC0201N43NAA
BLUC0201N43NAN

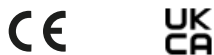
Structure

grey
black

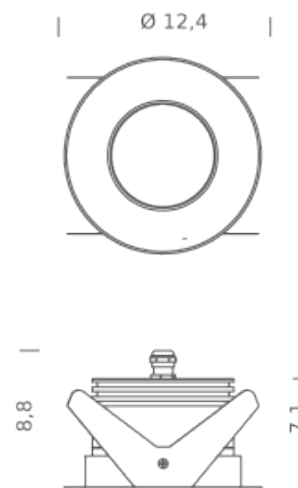
PACKAGE

Package 01 Dimension: 23,5x15x11 cm / Gross weight: 1,18 kg

Certificazioni



LUX CEILING TRIM 12W



LUX CEILING TRIM 1,2



CEILING 12W | 4000° - 53°

LAMPING

Source	LED
Total power	12W
Emission	53°
Switching	according to driver
Tension	350mA
Color temperature	4000K
Luminous flux	1050lm
Initial luminaire efficacy	88lm/W
Initial chromaticity	SDCM<3
Typ CRI	>90
Energy class	F
IP class	65
Dimensions	Ø12,4x8,8
Materials	Aluminium
Ambient temperature range	-20°C/35°C
Performance ambient temperature	25°C
Notes	UGR<19
Net lamp weight	0,81 kg

Codes

BLUC0201H43NAA
BLUC0201H43NAN

Structure

grey
black

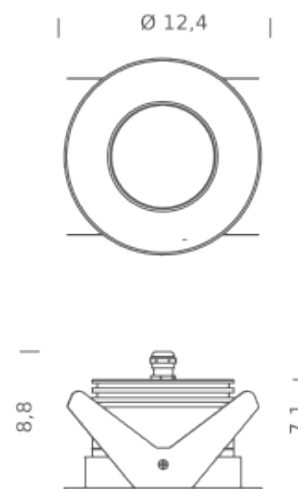
PACKAGE

Package 01 Dimension: 23,5x15x11 cm / Gross weight: 1,18 kg

Certificazioni



LUX CEILING TRIM 12W



LUX CEILING TRIM 1,2



CEILING 1,2W | 3000K - 11°

LAMPING

Source	LED
Total power	1.2W
Emission	11°
Switching	according to driver
Tension	350mA
Color temperature	3000K
Initial chromaticity	SDCM<3
Typ CRI	>90
Energy class	G
IP class	65
Dimensions	ø44x55mm
Materials	Aluminium
Ambient temperature range	-20°C / 35°C
Performance ambient temperature	25°C

Codes

BLUC0201F17WAA
BLUC0201F17WAN

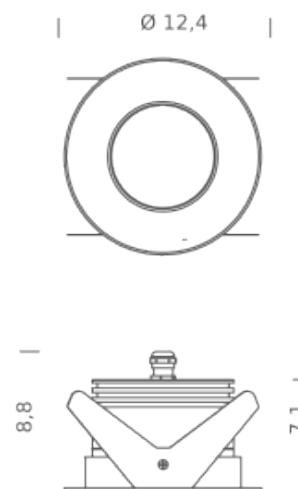
Structure

grey
black

Certificazioni



LUX CEILING TRIM 12W



LUX CEILING TRIM 1,2



CEILING 1,2W | 3000K - 25°

LAMPING

Source	LED
Total power	1.2W
Emission	25°
Switching	according to driver
Tension	350mA
Color temperature	3000K
Luminous flux	68lm
Initial chromaticity	SDCM<3
Typ CRI	>90
Energy class	G
IP class	65
Dimensions	ø44x55mm
Materials	Aluminium
Ambient temperature range	-20°C / 35°C
Performance ambient temperature	25°C

Codes

BLUC0201417WAA
BLUC0201417WAN

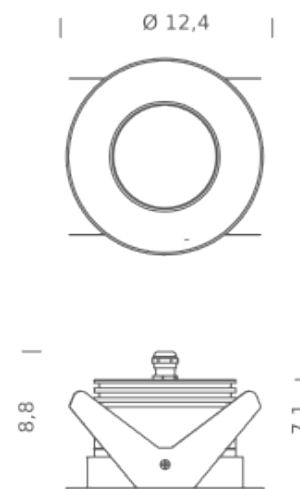
Structure

grey
black

Certificazioni



LUX CEILING TRIM 12W



LUX CEILING TRIM 1,2



CEILING 1,2W | 4000K - 11°

LAMPING

Source	LED
Total power	1.2W
Emission	11°
Switching	according to driver
Tension	350mA
Color temperature	4000K
Initial chromaticity	SDCM<3
Typ CRI	>80
Energy class	G
IP class	65
Dimensions	ø44x55mm
Materials	Aluminium
Ambient temperature range	-20°C / 35°C
Performance ambient temperature	25°C

Codes

BLUC0201F17NAA
BLUC0201F17NAN

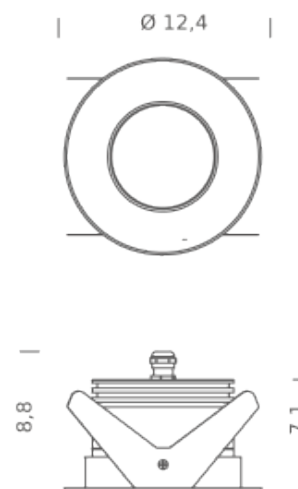
Structure

grey
black

Certificazioni



LUX CEILING TRIM 12W



LUX CEILING TRIM 1,2



CEILING 1,2W | 4000K - 25°

LAMPING

Source	LED
Total power	1.2W
Emission	25°
Switching	according to driver
Tension	350mA
Color temperature	4000K
Initial chromaticity	SDCM<3
Typ CRI	>80
Energy class	G
IP class	65
Dimensions	ø44x55mm
Materials	Aluminium
Ambient temperature range	-20°C / 35°C
Performance ambient temperature	25°C

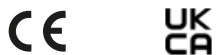
Codes

BLUC0201417NAA
BLUC0201417NAN

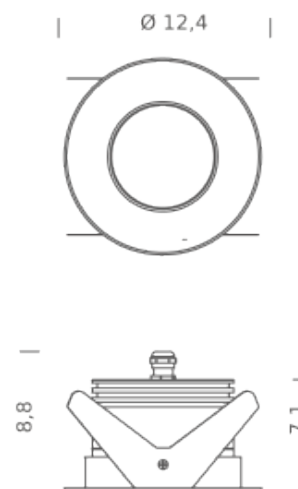
Structure

grey
black

Certificazioni



LUX CEILING TRIM 12W



LUX CEILING TRIM 1,2

