

ELLISSE PENDANT MINOR

Federico Palazzari

Realizzata in diverse versioni attraverso un'innovativa tecnologia sviluppata da Nemo appositamente per l'accoppiamento degli estrusi, Ellisse garantisce un'illuminazione diffusa diretta e indiretta grazie al LED ospitato nella struttura senza risultare invadente. Il design è lineare e contemporaneo, mentre un'elegante base in marmo nero diventa piedistallo per la versione da terra.



DOWNLIGHT 2700K

LAMPING

Source	linear LED
Total power	50W
Emission	diffused
Switching	dimmable 1-10V
Tension	110-240V
Color temperature	2700K
Luminous flux	2250lm
Typ CRI	85
IP class	20
Materials	Aluminium
Notes	adjustable cable length from 2,5m to 0,4m, DALI version on request, TRIAC VERSION on request

Codes

ELP LW2 52
ELP LN2 52
ELP LO2 52
ELP LL2 52
ELP LGW 52

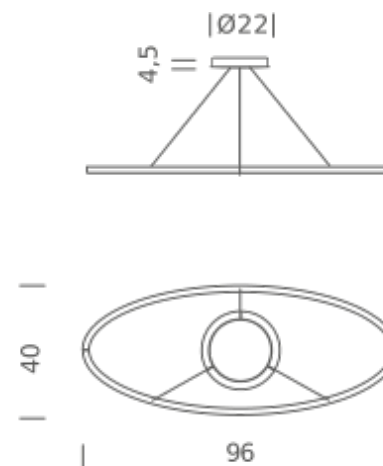
Structure

white
black
gold painted
polished aluminium
gold polished anodized

PACKAGE

Package 01 Dimension: 15x80x150 cm / Gross weight: 7,5 kg

Certificazioni



DOWNLIGHT 3000K

LAMPING

Source	linear LED
Total power	50W
Emission	diffused
Switching	dimnable 1-10V
Tension	110-240V
Color temperature	3000K
Luminous flux	2250lm
Typ CRI	85
IP class	20
Materials	Aluminium
Notes	adjustable cable length from 2,5m to 0,4m, DALI version on request

Codes

ELP LWW 52
ELP LNW 52
ELP LOW 52
ELP LLW 52

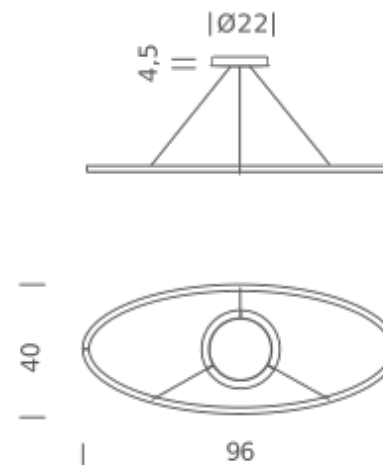
Structure

white
black
gold painted
polished aluminium

PACKAGE

Package 01 Dimension: 15x80x150 cm / Gross weight: 7,5 kg

Certificazioni



UPLIGHT 2700K

LAMPING

Source	linear LED
Total power	50W
Emission	diffused
Switching	dimnable 1-10V
Tension	110-240V
Color temperature	2700K
Luminous flux	2250lm
Typ CRI	85
IP class	20
Materials	Aluminium
Notes	adjustable cable length from 2,5m to 0,4m, DALI version on request

Codes

ELP LW2 51
ELP LN2 51
ELP LO2 51
ELP LL2 51
ELP LGW 51

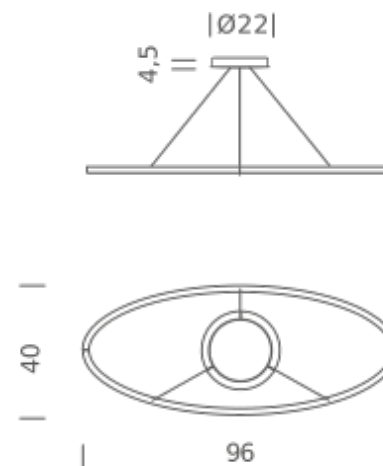
Structure

white
black
gold painted
polished aluminium
gold polished anodized

PACKAGE

Package 01 Dimension: 15x80x150 cm / Gross weight: 7,5 kg

Certificazioni



UPLIGHT 3000K

LAMPING

Source	linear LED
Total power	50W
Emission	diffused
Switching	dimmable 1-10V
Tension	110-240V
Color temperature	3000K
Luminous flux	2250lm
Typ CRI	85
IP class	20
Materials	Aluminium
Notes	adjustable cable length from 2,5m to 0,4m, DALI version on request

Codes

ELP LWW 51
ELP LNW 51
ELP LOW 51
ELP LLW 51

Structure

white
black
gold painted
polished aluminium

PACKAGE

Package 01 Dimension: 15x80x150 cm / Gross weight: 7,5 kg

Certificazioni

