

KEPLER

Arihiro Miyake

La collezione Kepler è realizzata in estruso di alluminio verniciato, la cui linea continua è ottenuta attraverso un processo di lavorazione tridimensionale sviluppato da Nemo. Disegnata alla base del principio matematico del nastro di Möbius. Diffusore in tecnopolimero opaco.



DOWNLIGHT 2700K

LAMPING

Source	linear LED
Total power	83W
Emission	diffused
Switching	dimmable 1-10V
Tension	110-240V
Color temperature	2700K
Luminous flux	4800lm
Typ CRI	85
IP class	20
Materials	aluminium + PC
Notes	adjustable cable length from 2,5m to 0,4m, DALI version on request, TRIAC VERSION on request
Net lamp weight	9 kg

Codes

KEP LWW 54
KEP LNN 54
KEP LOW 54

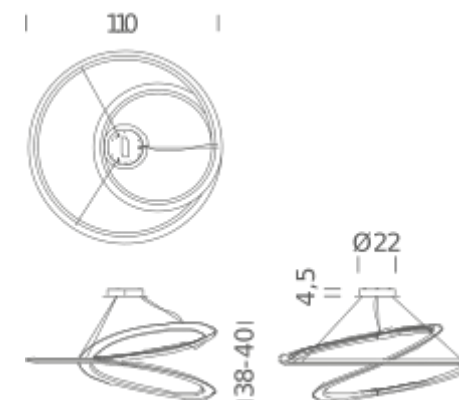
Structure

white
black
gold

PACKAGE

Package 01 Dimension: 121x121x52 cm / Gross weight: 19 kg

Certificazioni



DOWNLIGHT 3000K

LAMPING

Source	linear LED
Total power	83W
Emission	diffused
Switching	dimmable 1-10V
Tension	110-240V
Color temperature	3000K
Luminous flux	4800lm
Typ CRI	85
IP class	20
Materials	aluminium + PC
Notes	adjustable cable length from 2,5m to 0,4m, DALI version on request
Net lamp weight	9 kg

Codes

KEP LWW 52
KEP LNN 52
KEP LOW 52

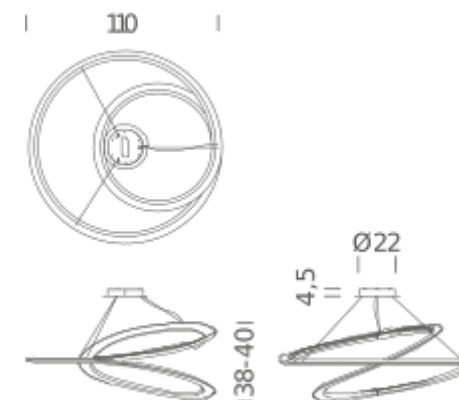
Structure

white
black
gold painted

PACKAGE

Package 01 Dimension: 121x121x52 cm / Gross weight: 19 kg

Certificazioni



UPLIGHT 2700K

LAMPING

Source	linear LED
Total power	83W
Emission	diffused indirect
Switching	dimmable 1-10V
Tension	110-240V
Color temperature	2700K
Luminous flux	4800lm
Typ CRI	85
IP class	20
Materials	aluminium + PC
Notes	adjustable cable length from 2,5m to 0,4m, DALI version on request
Net lamp weight	9 kg

Codes

KEP LWW 53
KEP LNN 53
KEP LOW 53

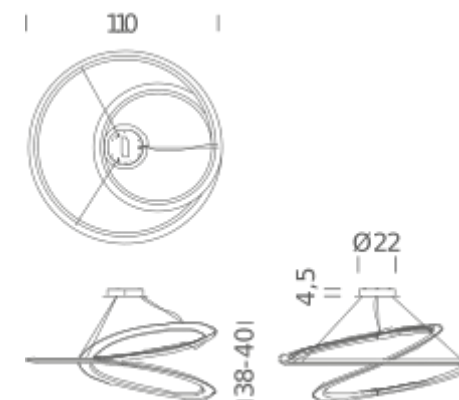
Structure

white
black
gold painted

PACKAGE

Package 01 Dimension: 121x121x52 cm / Gross weight: 19 kg

Certificazioni



UPLIGHT 3000K

LAMPING

Source	linear LED
Total power	83W
Emission	diffused indirect
Switching	dimmable 1-10V
Tension	110-240V
Color temperature	3000K
Luminous flux	4800lm
Typ CRI	85
IP class	20
Materials	aluminium + PC
Notes	adjustable cable length from 2,5m to 0,4m, DALI version on request
Net lamp weight	9 kg

Codes

KEP LWW 51
KEP LNN 51
KEP LOW 51

Structure

white
black
gold

PACKAGE

Package 01 Dimension: 121x121x52 cm / Gross weight: 19 kg

Certificazioni

