

ZIRKOL CIRCLE WALL

Dedicato ad un'illuminazione indiretta e dalla forte connotazione decorativa, Zirkol Wall è la nuova lampada della collezione, proposta con una forma circolare e fissaggio a parete. Tre temperature colore LED disponibili, 2700K, 3000K o 4000K e finitura nera. La lunghezza delle tigi incluse, permette di creare differenti composizioni di più lampade, per un'illuminazione d'ambiente personalizzata.



Ø 1M | 2700K

LAMPING

Source	linear LED
Total power	45W
Emission	indirect diffused
Switching	DALI 1-100%
Tension	220/240V
Color temperature	2700K
Luminous flux	2616lm
Typ CRI	90
Energy class	E
IP class	20
Dimensions	ø100x5cm
Materials	aluminium
Notes	remote driver RAL 9005black shipped assembled. 1 x driver WALIM60W24VIN 1 x dimmer interface WDIMDALIHP 3 x tige 5 cm 3 x tige 16 cm
Net lamp weight	4 kg

Codes

BZRC4210G15DNE

Structure

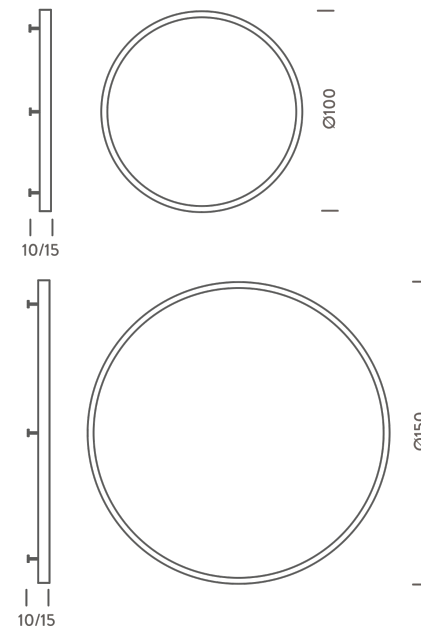
black

PACKAGE

Package 01

Dimension: 110x110x15 cm / Gross weight: 6,5 kg

Certificazioni



Ø 1M | 3000K

LAMPING

Source	linear LED
Total power	45W
Emission	indirect diffused
Switching	DALI 1-100%
Tension	220/240V
Color temperature	3000K
Luminous flux	2769lm
Typ CRI	90
Energy class	E
IP class	20
Dimensions	ø100x5cm
Materials	aluminium
Notes	remote driver RAL 9005black shipped assembled. 1 x driver WALIM60W24VIN 1 x dimmer interface WDIMDALIHP 3 x tige 5 cm 3 x tige 16 cm
Net lamp weight	4 kg

Codes

BZRC4210G15WNE

Structure

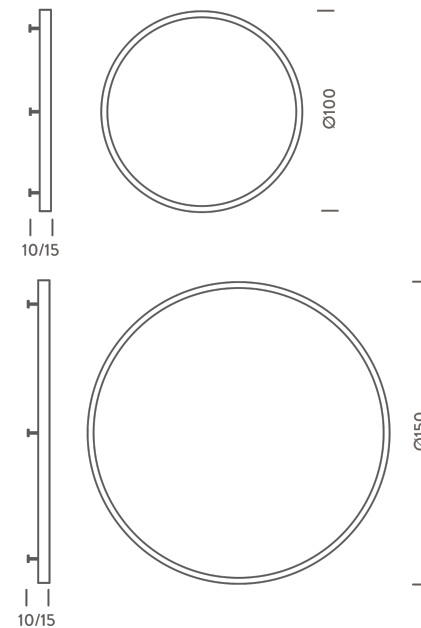
black

PACKAGE

Package 01

Dimension: 110x110x15 cm / Gross weight: 6,5 kg

Certificazioni



Ø 1M | 4000K

LAMPING

Source	linear LED
Total power	45W
Emission	indirect diffused
Switching	DALI 1-100%
Tension	220/240V
Color temperature	4000K
Luminous flux	3077lm
Typ CRI	90
Energy class	D
IP class	20
Dimensions	ø100x5cm
Materials	aluminum
Notes	remote driver RAL 9005black shipped assembled. 1 x driver WALIM60W24VIN 1 x dimmer interface WDIMDALIHP 3 x tige 5 cm 3 x tige 16 cm
Net lamp weight	4 kg

Codes

BZRC4210G15NNE

Structure

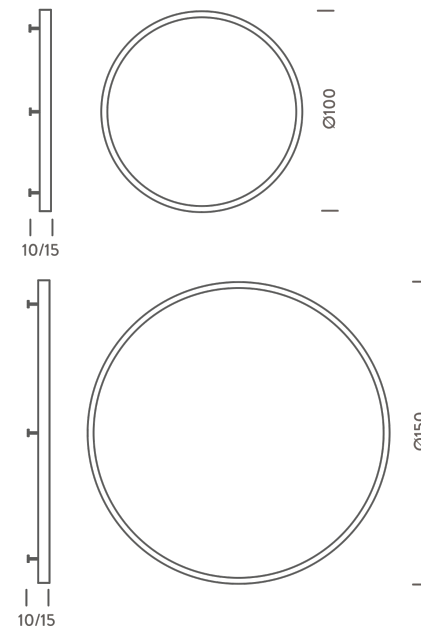
black

PACKAGE

Package 01

Dimension: 110x110x15 cm / Gross weight: 6,5 kg

Certificazioni



Ø 1,5M | 2700K

LAMPING

Source	linear LED
Total power	68W
Emission	indirect diffused
Switching	DALI 1-100%
Tension	220/240V
Color temperature	2700K
Luminous flux	3923lm
Typ CRI	90
Energy class	E
IP class	20
Dimensions	ø150x5cm
Materials	aluminum
Notes	remote driver RAL 9005 black shipped assembled. 1 x driver WALIM150W24VIN 1 x dimmer interface WDIMDALIHP 3 x tige 5 cm 3 x tige 16 cm
Net lamp weight	4 kg

Codes

BZRC4215G15DNE

Structure

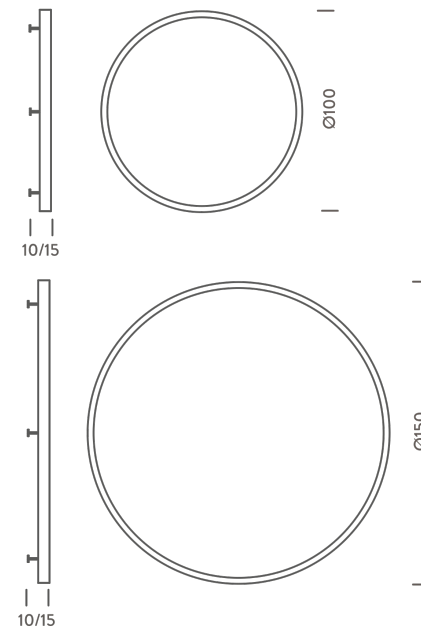
black

PACKAGE

Package 01

Dimension: 160x160x15 cm / Gross weight: 6,5 kg

Certificazioni



Ø 1,5M | 3000K

LAMPING

Source	linear LED
Total power	68W
Emission	indirect diffused
Switching	DALI 1-100%
Tension	220/240V
Color temperature	3000K
Luminous flux	4154lm
Typ CRI	90
Energy class	E
IP class	20
Dimensions	ø150x5cm
Materials	aluminum
Notes	remote driver RAL 9005 black shipped assembled. 1 x driver WALIM150W24VIN 1 x dimmer interface WDIMDALIHP 3 x tige 5 cm 3 x tige 16 cm
Net lamp weight	4 kg

Codes

BZRC4215G15WNE

Structure

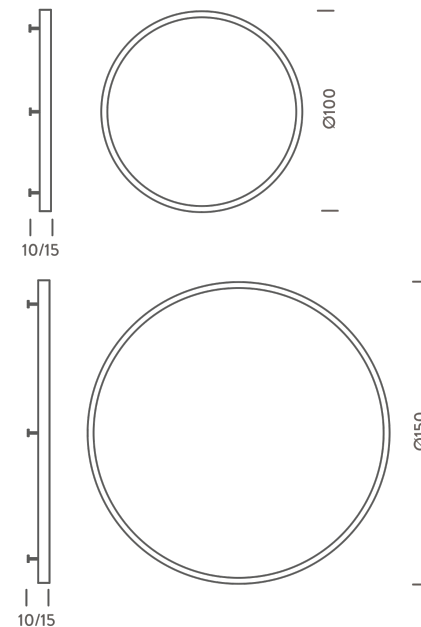
black

PACKAGE

Package 01

Dimension: 160x160x15 cm / Gross weight: 6,5 kg

Certificazioni



Ø 1,5M | 4000K

LAMPING

Source	linear LED
Total power	68W
Emission	indirect diffused
Switching	DALI 1-100%
Tension	220/240V
Color temperature	4000K
Luminous flux	4616lm
Typ CRI	90
Energy class	D
IP class	20
Dimensions	ø150x5cm
Materials	aluminum
Notes	remote driver RAL 9005 black shipped assembled. 1 x driver WALIM150W24VIN 1 x dimmer interface WDIMDALIHP 3 x tige 5 cm 3 x tige 16 cm
Net lamp weight	4 kg

Codes

BZRC4215G15NNE

Structure

black

PACKAGE

Package 01

Dimension: 160x160x15 cm / Gross weight: 6,5 kg

Certificazioni

