

ZIRKOL SIDE

Zirkol Side è la nuova proposta della collezione, l'unica che permette un'emissione laterale e omogenea della luce. Corpo in alluminio anodizzato e schermo di protezione opale. Zirkol Side è proposta nelle finiture black e white e nelle temperature colore LED 2700K, 3000K e 4000K. Driver remoto e dimmer interface DALI inclusi.



Ø1M | 2700K

LAMPING

Source	Linear LED
Total power	136W
Switching	DALI 1-100%
Tension	220/240V
Typ CRI	90
Notes	RAL 9005 black RAL 9016 white shipped assembled

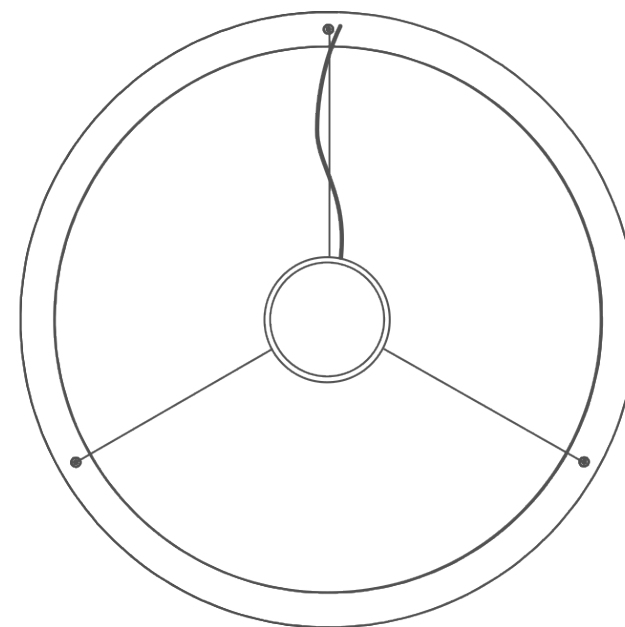
Codes

BZRS1715G15DNE
BZRS1715G15DBO

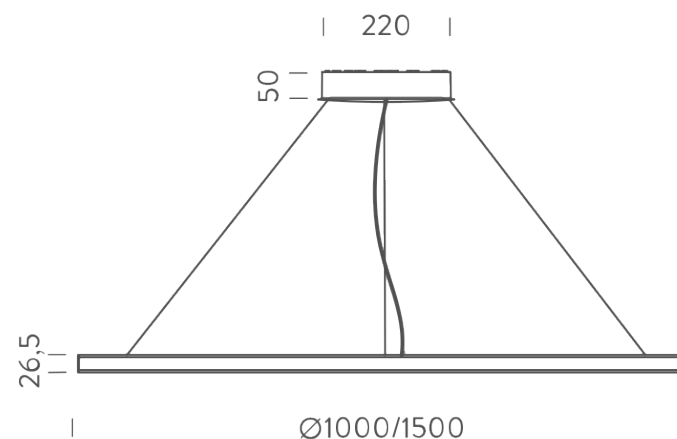
Structure

black
white

Certificazioni



Ø1000/1500



Ø1M | 3000K

LAMPING

Source	Linear LED
Total power	136W
Switching	DALI 1-100%
Tension	220/240V
Typ CRI	90
Notes	RAL 9005 black RAL 9016 white shipped assembled

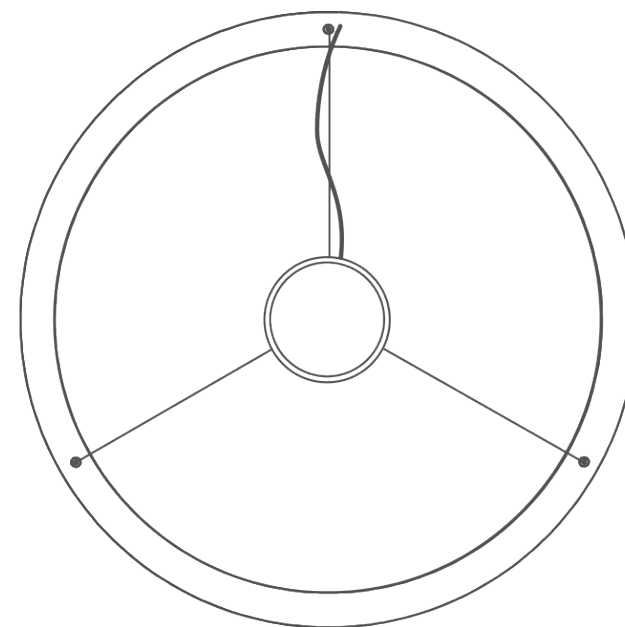
Codes

BZRS1715G15WNE
BZRS1715G15WBO

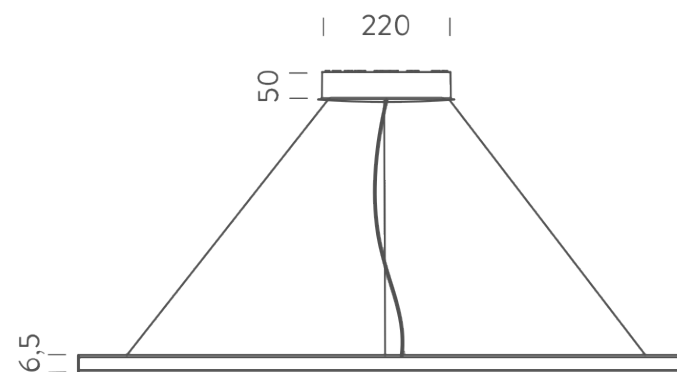
Structure

black
white

Certificazioni



Ø1000/1500



Ø1000/1500

Ø1M | 4000K

LAMPING

Source	Linear LED
Total power	136W
Switching	DALI 1-100%
Tension	220/240V
Typ CRI	90
Notes	RAL 9005 black RAL 9016 white shipped assembled

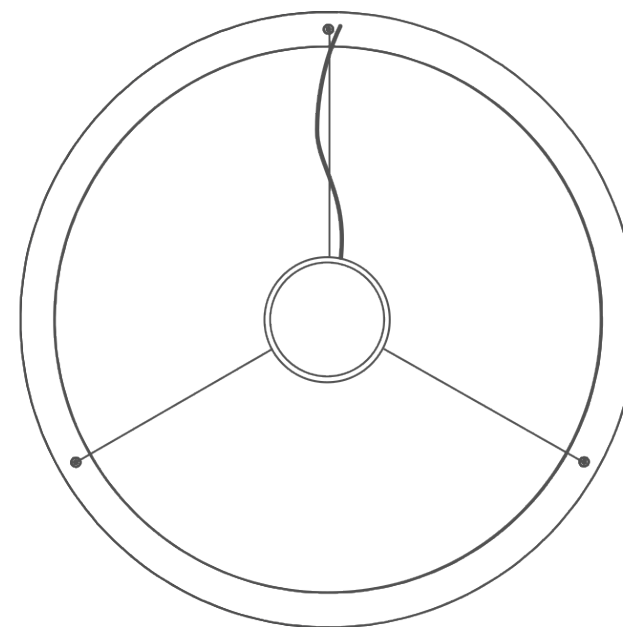
Codes

BZRS1715G15NNE
BZRS1715G15NBO

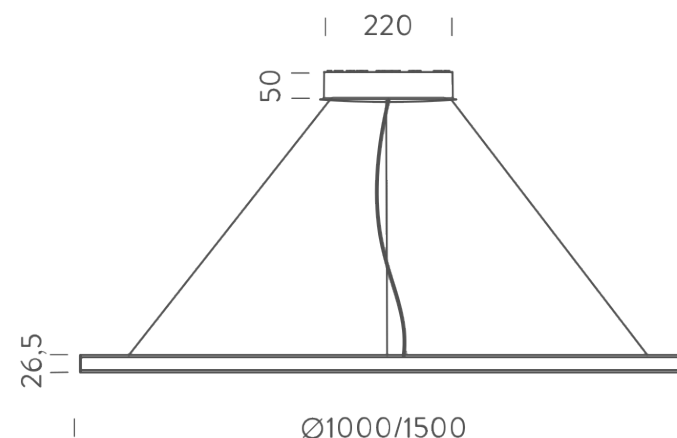
Structure

black
white

Certificazioni



Ø1000/1500



Ø1,5M | 2700K

LAMPING

Source	Linear LED
Total power	136W
Switching	DALI 1-100%
Tension	220/240V
Color temperature	2700K
Typ CRI	90
Notes	RAL 9005 black RAL 9016 white shipped assembled

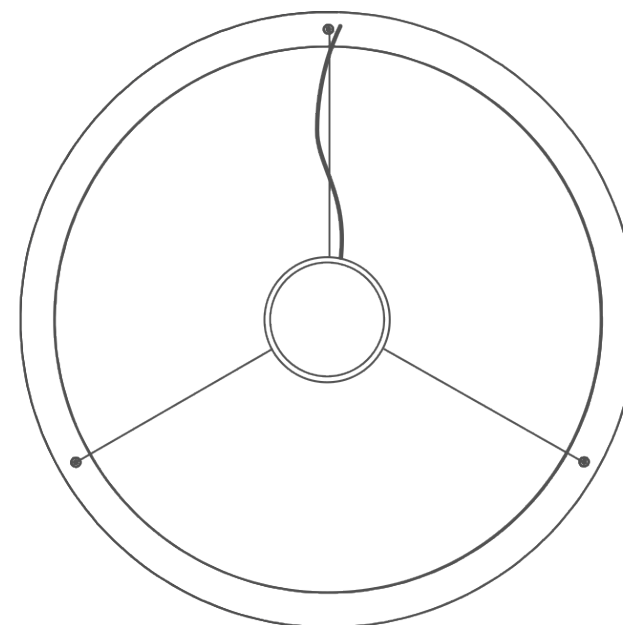
Codes

BZRS1715G15DNE
BZRS1715G15DBO

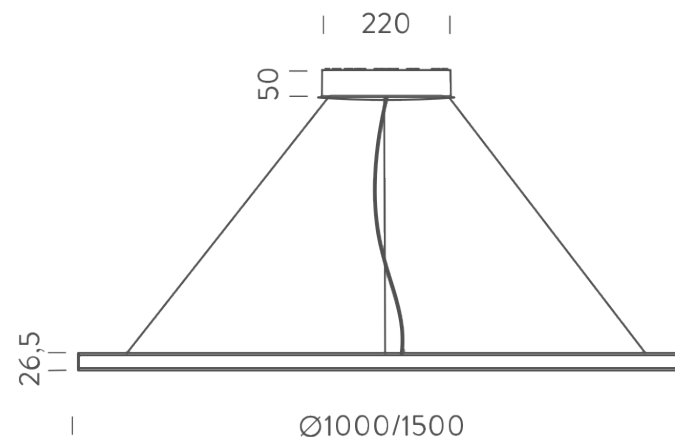
Structure

black
white

Certificazioni



Ø1000/1500



Ø1,5M | 3000K

LAMPING

Source	Linear LED
Total power	136W
Switching	DALI 1-100%
Tension	220/240V
Color temperature	3000K
Typ CRI	90
Notes	RAL 9005 black RAL 9016 white shipped assembled

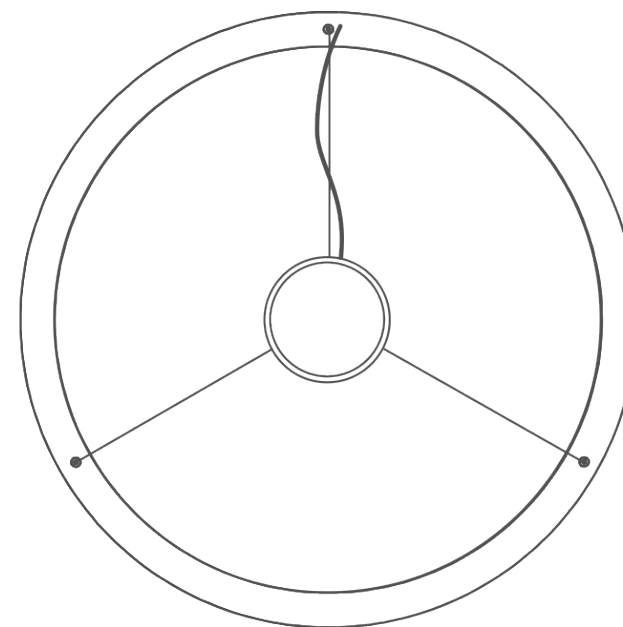
Codes

BZRS1715G15WNE
BZRS1715G15WBO

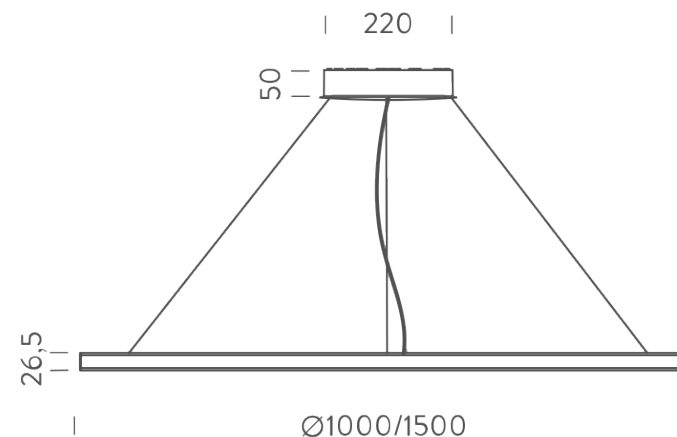
Structure

black
white

Certificazioni



Ø1000/1500



Ø1,5M | 4000K

LAMPING

Source	Linear LED
Total power	136W
Switching	DALI 1-100%
Tension	220/240V
Color temperature	4000K
Typ CRI	90
Notes	RAL 9005 black RAL 9016 white shipped assembled

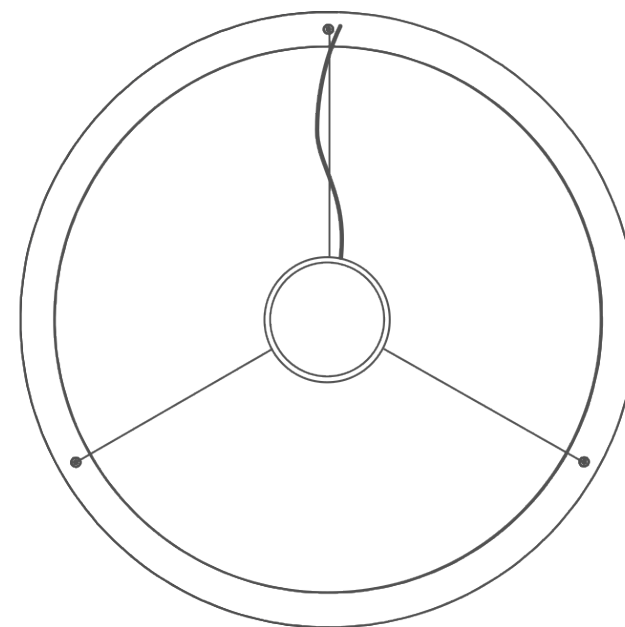
Codes

BZRS1715G15NNE
BZRS1715G15NBO

Structure

black
white

Certificazioni



Ø1000/1500

