

MINIFLUX LINEA TRANSPARENT

Miniflux Linea Transparent è un sistema a LED a sospensione destinato all'illuminazione in interni. Corpo in profilato in alluminio su cui è posizionata una striscia di Nastro LED 24V DC. CRI>97.

Diffusore in policarbonato trasparente. È proposto con finitura black, white e gold. Miniflux è disponibile in due temperature colore e nelle versioni TRIAC e DALI. Alimentatore remoto incluso.



LAMPING

Source	Linear LED
Total power	15W
Emission	Direct 120°
Switching	TRIAC
Tension	24VDC
Color temperature	2700K
Initial chromaticity	SDCM<2
Typ CRI	>97
Energy class	F
IP class	40
Dimensions	Ø20 x 1060mm
Materials	Polycarbonate
Ambient temperature range	-20°C / 50°C
Performance ambient temperature	25°C
Mechanical impact protection code	IK08
Notes	Driver included
Customization options	CCT 4000K on request
Net lamp weight	0.6 kg

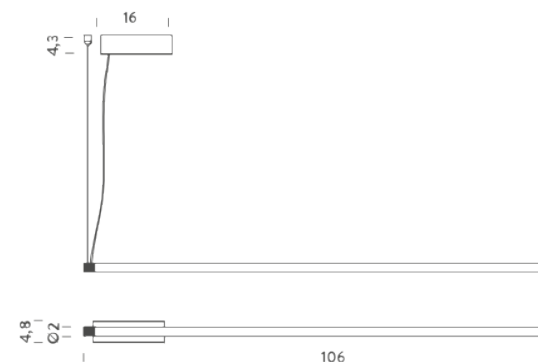
Codes

BMLT2710G26DAN
 BMLT2710G26DBO
 BMLT2710G26DAO

Structure

black
 white
 gold

Certificazioni



LAMPING

Source	Linear LED
Total power	15W
Emission	Direct 120°
Switching	TRIAC
Tension	24VDC
Color temperature	3000K
Luminous flux	897lm
Initial luminaire efficacy	60m/W
Initial chromaticity	SDCM<2
Typ CRI	>97
Energy class	F
IP class	40
Dimensions	Ø20 x 1060mm
Materials	Polycarbonate
Ambient temperature range	-20°C / 50°C
Performance ambient temperature	25°C
Mechanical impact protection code	IK08
Notes	Driver included
Customization options	CCT 4000K on request

Codes

BMLT2710G26WAN
 BMLT2710G26WBO
 BMLT2710G26WAO

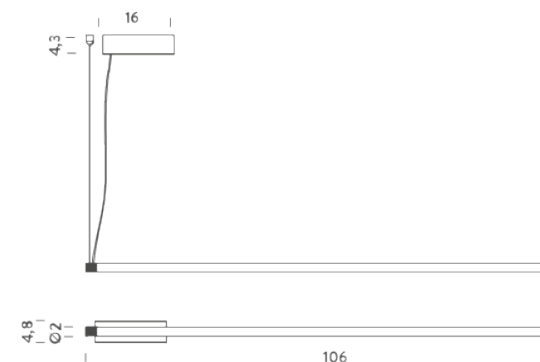
Structure

black
 white
 gold

PACKAGE

Package 01 Net weight: 0.6 kg

Certificazioni



LAMPING

Source	Linear LED
Total power	15W
Emission	Direct 120°
Switching	DALI
Tension	24VDC
Color temperature	2700K
Initial chromaticity	SDCM<2
Typ CRI	>97
Energy class	F
IP class	40
Dimensions	Ø20 x 1060mm
Materials	Polycarbonate
Ambient temperature range	-20°C / 50°C
Performance ambient temperature	25°C
Mechanical impact protection code	IK08
Notes	Driver included
Customization options	CCT 4000K on request
Net lamp weight	0.6 kg

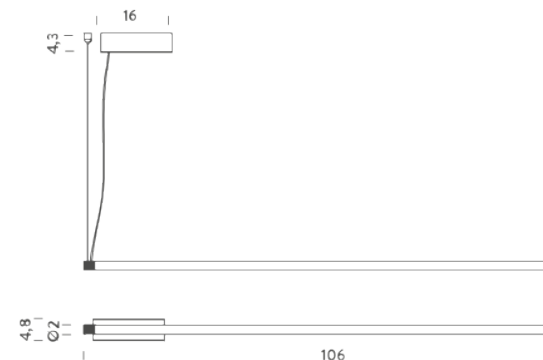
Codes

BMLT1610G26DAN
 BMLT1610G26DBO
 BMLT1610G26DAO

Structure

black
 white
 gold

Certificazioni



LAMPING

Source	Linear LED
Total power	15W
Emission	Direct 120°
Switching	DALI
Tension	24VDC
Color temperature	3000K
Luminous flux	897lm
Initial luminaire efficacy	60m/W
Initial chromaticity	SDCM<2
Typ CRI	>97
Energy class	F
IP class	40
Dimensions	Ø20 x 1060mm
Materials	Polycarbonate
Ambient temperature range	-20°C / 50°C
Performance ambient temperature	25°C
Mechanical impact protection code	IK08
Notes	Driver included
Customization options	CCT 4000K on request
Net lamp weight	0.6 kg

Codes

- BMLT1610G26WAN
- BMLT1610G26WBO
- BMLT1610G26WAO

Structure

- black
- white
- gold

Certificazioni

